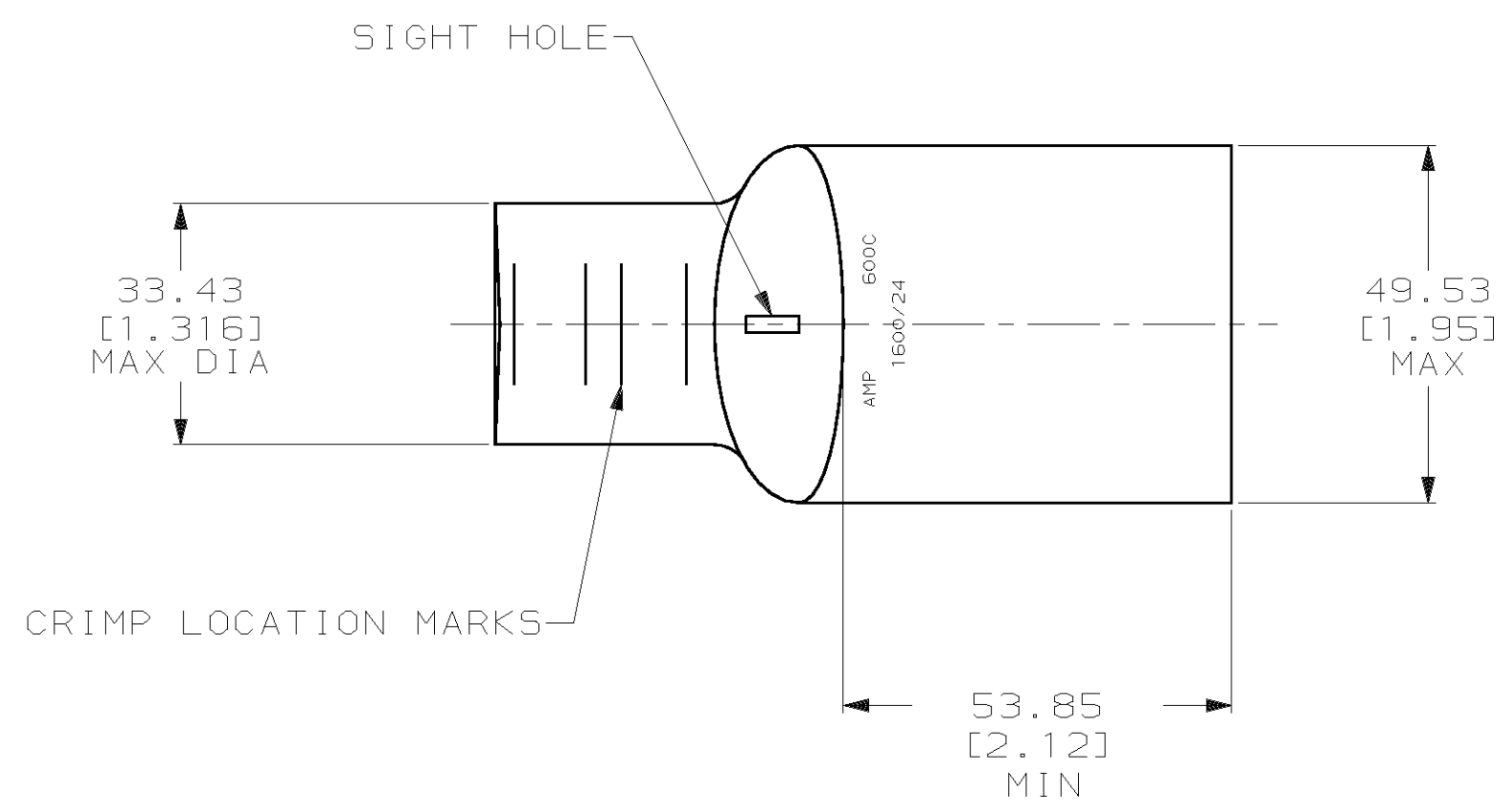
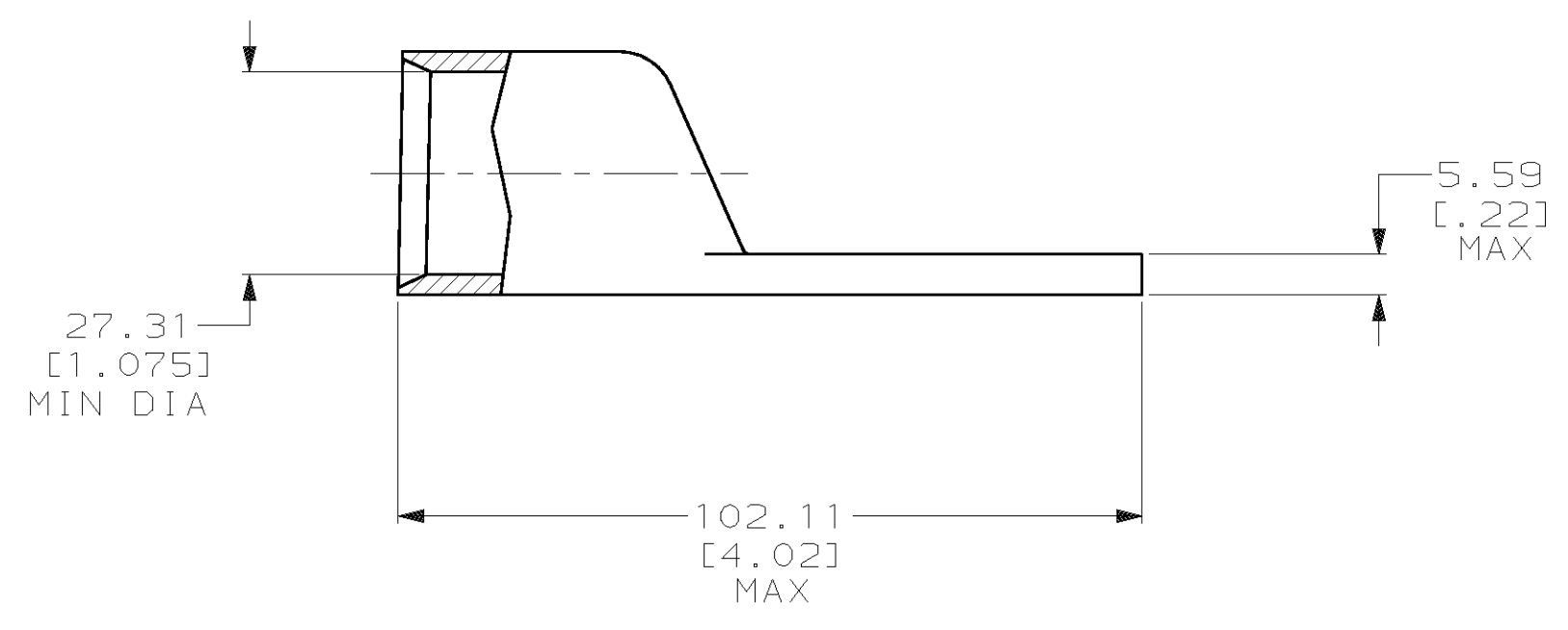


| LOC | | DIST | | REVISIONS | | | | DATE | APPD |
|------|-----|-------------|------|-----------|----------------------|---------|----|------|------|
| ZONE | LTR | DESCRIPTION | DATE | APPD | | | | | |
| G | 86 | P | F | J | REV PER 063A-0561-01 | 080CT02 | JR | MS | |



1 CIRCULAR MIL RANGE: 550-650 MCM



| |
|------------|
| 1-326211-1 |
| PART NO |

| | | | | |
|---|-----------------------------|---|-----------|--------------|
| DO NOT SCALE PRINT. UNLESS SPECIFIED DIMENSIONS IN mm [INCHES] TOLERANCES ON : 2 PLC DEC ± 0.51 [.020] 3 PLC DEC ± - ANGLES ± - | DR 9/17/91 DK SCHRUM | AMP INCORPORATED Harrisburg, Pa. 17105 | | |
| | CHK 9/17/91 AJ KAUFMAN | | | NAME |
| MATERIAL | APPD 9/18/91 WJ VOCKROTH | TERMINAL, AMPPOWER™ WIRE SIZE: 304.0mm ² [600]MCM | | |
| ANNEALED COPPER ASTM B-75 | APPD 9/18/91 AJ ADELMANN | | | |
| FINISH | PRODUCT SPEC | SIZE | CAGE CODE | DRAWING NO |
| CLEANED | APPLICATION SPEC | C | 00779 | 326211 |
| | WEIGHT .498 LB | SCALE 1:1 | | SHEET 1 OF 1 |

METRIC