

4

3

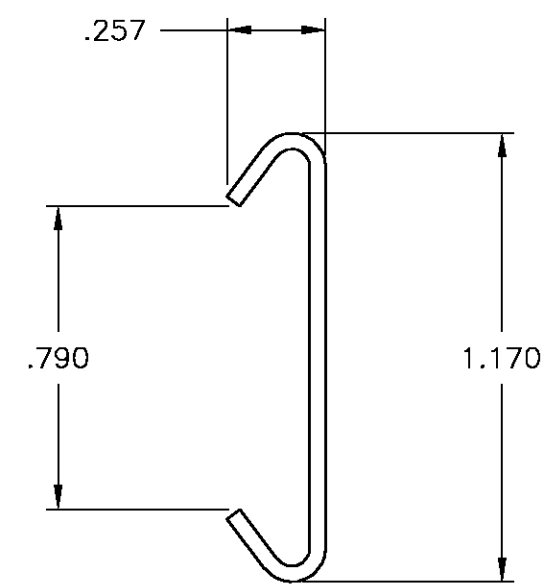
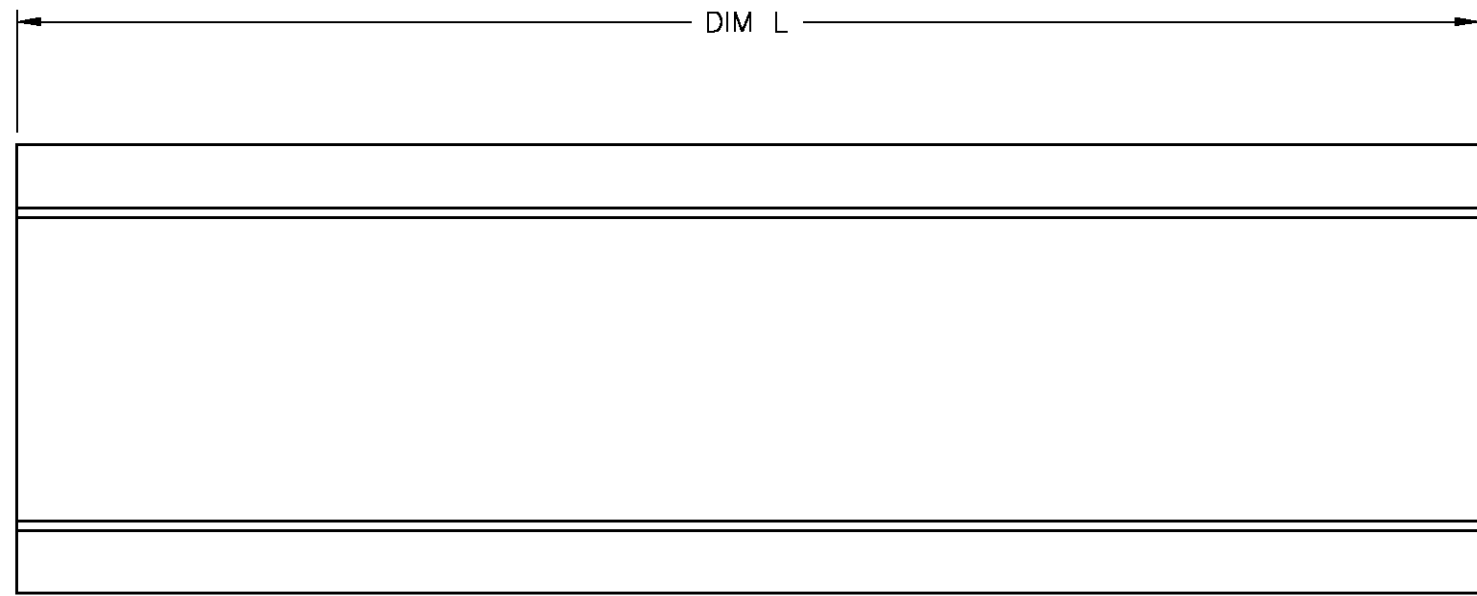
2

1

THIS DRAWING IS UNPUBLISHED. RELEASED FOR PUBLICATION  
 © COPYRIGHT - BY TYCO ELECTRONICS CORPORATION. ALL RIGHTS RESERVED.

LOC	DIST	REVISIONS			
P	LTR	DESCRIPTION	DATE	DWN	APVD
	0	REVISED PER 0G3B-0532-03	6/26/03	SS	SRY

- NOTES:
- △ MATERIAL: ZINC PLATED, STEEL.
  - FOR USE WITH DOVETAIL BASE TERMINAL BLOCKS.



36	STEEL CHANNEL, 3 FT	63-BU	9-1437381-8
72	STEEL CHANNEL, 6 FT	60	9-1437381-1
DIM L	DESCRIPTION	CATALOG NUMBER	PART NUMBER

THIS DRAWING IS A CONTROLLED DOCUMENT.		DWN S SCHLEGEL 25JUN03	<b>BUCHANAN</b> Tyco Electronics Corporation Harrisburg, PA 17105		
DIMENSIONS: INCHES 		CHK S YODER 6/26/03			
TOLERANCES UNLESS OTHERWISE SPECIFIED: 0 PLC ± - 1 PLC ± - 2 PLC ± - 3 PLC ± - 4 PLC ± - ANGLES ± -		APVD S YODER 6/26/03	NAME CHANNEL FOR SECTIONAL BLOCKS WITH DOVETAIL		
MATERIAL - △		FINISH - △	PRODUCT SPEC -	APPLICATION SPEC -	RESTRICTED TO -
		WEIGHT -	SIZE A3	CAGE CODE 00779	DRAWING NO C-9-1437381-1
CUSTOMER DRAWING			SCALE 2:1	SHEET 1 OF 1	REV 0