



Is Now Part of



**ON Semiconductor®**

To learn more about ON Semiconductor, please visit our website at  
[www.onsemi.com](http://www.onsemi.com)

ON Semiconductor and the ON Semiconductor logo are trademarks of Semiconductor Components Industries, LLC dba ON Semiconductor or its subsidiaries in the United States and/or other countries. ON Semiconductor owns the rights to a number of patents, trademarks, copyrights, trade secrets, and other intellectual property. A listing of ON Semiconductor's product/patent coverage may be accessed at [www.onsemi.com/site/pdf/Patent-Marking.pdf](http://www.onsemi.com/site/pdf/Patent-Marking.pdf). ON Semiconductor reserves the right to make changes without further notice to any products herein. ON Semiconductor makes no warranty, representation or guarantee regarding the suitability of its products for any particular purpose, nor does ON Semiconductor assume any liability arising out of the application or use of any product or circuit, and specifically disclaims any and all liability, including without limitation special, consequential or incidental damages. Buyer is responsible for its products and applications using ON Semiconductor products, including compliance with all laws, regulations and safety requirements or standards, regardless of any support or applications information provided by ON Semiconductor. "Typical" parameters which may be provided in ON Semiconductor data sheets and/or specifications can and do vary in different applications and actual performance may vary over time. All operating parameters, including "Typicals" must be validated for each customer application by customer's technical experts. ON Semiconductor does not convey any license under its patent rights nor the rights of others. ON Semiconductor products are not designed, intended, or authorized for use as a critical component in life support systems or any FDA Class 3 medical devices or medical devices with a same or similar classification in a foreign jurisdiction or any devices intended for implantation in the human body. Should Buyer purchase or use ON Semiconductor products for any such unintended or unauthorized application, Buyer shall indemnify and hold ON Semiconductor and its officers, employees, subsidiaries, affiliates, and distributors harmless against all claims, costs, damages, and expenses, and reasonable attorney fees arising out of, directly or indirectly, any claim of personal injury or death associated with such unintended or unauthorized use, even if such claim alleges that ON Semiconductor was negligent regarding the design or manufacture of the part. ON Semiconductor is an Equal Opportunity/Affirmative Action Employer. This literature is subject to all applicable copyright laws and is not for resale in any manner.



# FSA8039A Audio Jack Interface Solution with Moisture Sensing

## Features

- Detection:
  - Accessory Plug-In
  - Send / End Key Press
  - Prevents False Detection due to Moisture
- $V_{DD}$ : 2.5 V to 4.5 V
- $V_{IO}$ : 1.6 V to  $V_{DD}$
- THD (MIC): 0.01% Typical
- 15 kV Air Gap ESD
- MIC Switch Removes Audio Jack “Pop” and “Click” Caused by MIC Bias

## Applications

- Any Device with 3.5 mm and 2.5 mm Audio Jack
- Cellular Phones, Smart Phones, and Tablets
- MP3, GPS, and PMP

## Description

The FSA8039A is a detection switch for an audio jack that employs a normally open detect pin. The FSA8039A works with 3-pole and 4-pole accessories. The FSA8039A features moisture sensing that prevents false detection of accessories in the audio jack. The integrated MIC switch allows a processor to configure attached accessories. The architecture is designed to allow common third-party headphones to be used for listening to music from mobile handsets, personal media players, and portable peripheral devices.

## Related Resources

- FSA8039A Evaluation Board
- *For samples and questions, please contact: [Analog.Switch@fairchildsemi.com](mailto:Analog.Switch@fairchildsemi.com)*

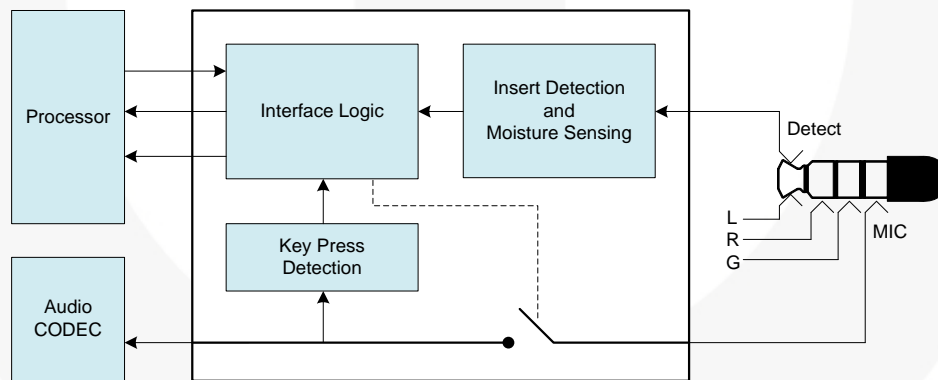


Figure 1. Block Diagram

## Ordering Information

Part Number	Operating Temperature Range	Top Mark	Package	Packing Method
FSA8039AUMSX	-40°C to 85°C	NF	10-Lead, UMLP, 1.4 mm x 1.8 mm, 0.4 mm Pitch	Tape & Reel

## Typical Application Diagram

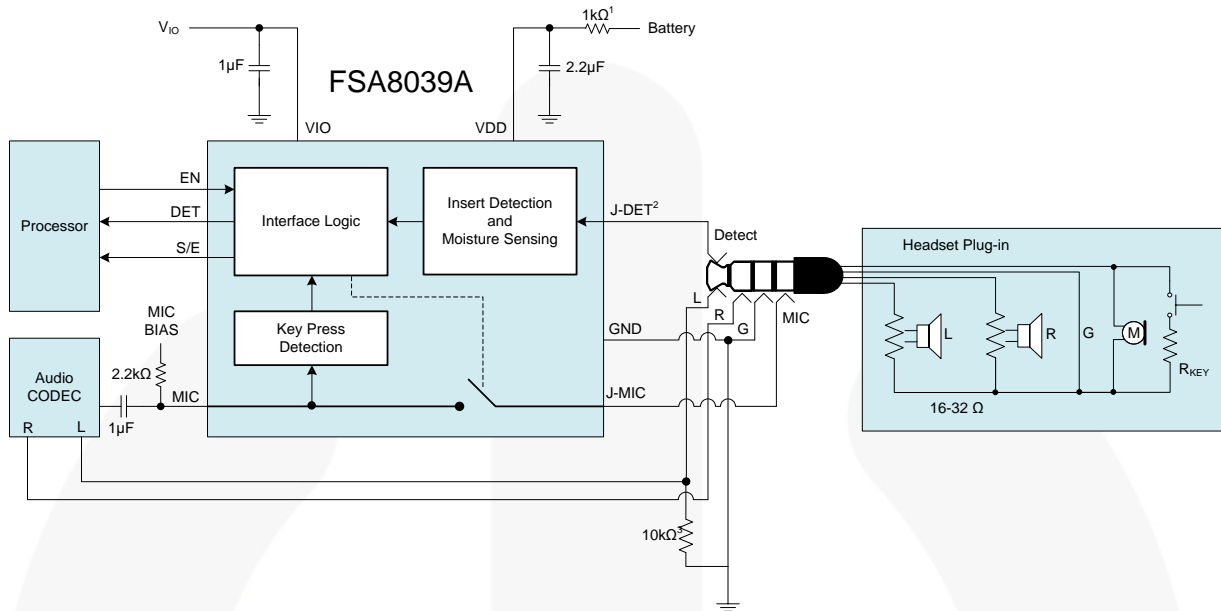


Figure 2. Typical Application

### Notes:

1. A 1 kΩ resistor with a 2.2 μF capacitor is recommended for direct battery connection. This filter helps stabilize power rail events not associated with the FSA8039A. If power is supplied from a stable source, such as from a PMIC or LDO, a single 1 μF capacitor is recommended.
2. The J-DET is shorted to the left (L) audio channel when the headset or accessory plug is inserted into most audio jacks. Any external circuitry attached to the J-DET pin could affect audio performance in the 20-20 kHz range on the left channel.
3. The optional 10 kΩ resistor on the left channel is used to assist in detection of high-impedance accessories. This resistor has negligible impact on audio fidelity.

## Pin Configuration

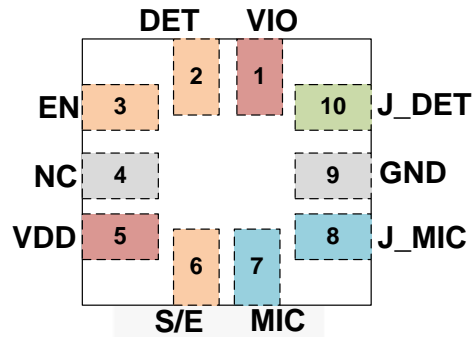


Figure 3. Pin Assignment (Through View)

## Pin Definitions

Name	Pin #	Type	Description			
VIO	1	Power	Baseband or processor I/O supply voltage			
DET	2	Output	Indicates if audio accessory is plugged in (debounced output)	DET=V <sub>OL</sub> , Accessory plugged in DET=V <sub>OH</sub> , Accessory unplugged		
EN	3	Input	Microphone switch control	No Plug	Plug inserted	
				EN=V <sub>IL</sub>	MIC switch open	Music Mode
				EN=V <sub>IH</sub>	MIC switch open	MIC switch closed
NC	4	NC	No connect; connect to GND for improved solder stability			
VDD	5	Power	Supply voltage			
S/E	6	Output	Indicates when an accessory key has been pressed (debounced output)	S/E=V <sub>OL</sub> , No Key Press S/E=V <sub>OH</sub> , Key Press		
MIC	7	I/O	Connection to the microphone pre-amplifier	EN=V <sub>IL</sub> , Switch Open EN=V <sub>IH</sub> , Switch Closed		
J_MIC	8	I/O	Connection from the audio jack mechanical plug microphone pin			
GND	9	Ground	Ground for both the audio jack and PCB			
J_DET	10	Input	Input from the audio jack mechanical plug insert/removal detection pin			

## Application Information

### Moisture Detection

Moisture in the audio jack can cause the phone to incorrectly route audio signals to the audio jack rather than the phone speaker or microphone. Users perceive this as a dropped call or muted phone. The FSA8039A protects against this type of false plug-insert notification.

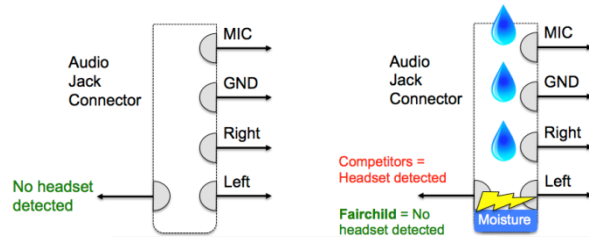


Figure 4. Moisture Impedance Detection

### Music Mode

When a 4-pole headset is inserted into the audio jack and a music/listening application is used, the MIC bias is normally enabled for headset button press detection (i.e. mute, volume change, etc.). This consumes power due to a constant path from the MIC bias resistor and microphone in the headset to GND. Fairchild has developed a Music Mode to enable the MIC switch

periodically to monitor for a pressed button. This results in a power savings for battery-sensitive devices, such as cell phones or MP3 players. The FSA8039A enters Music Mode when EN=LOW and a 4-pole headset is inserted. Music Mode reduces MIC bias current by approximately 90%.

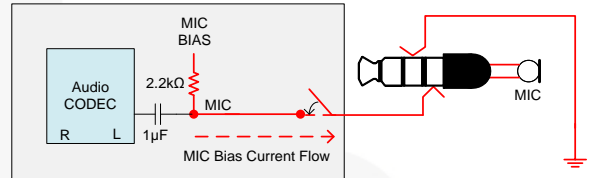


Figure 5. MIC Bias Leakage Path

### Headset Key-Press Operation

The headset key-press comparator threshold is a function of the MIC bias voltage, MIC bias resistor, and the MIC impedance. All of these variables must be considered when calculating the key-press resistor value. Figure 6 is an example of how to calculate the key-press resistor value.

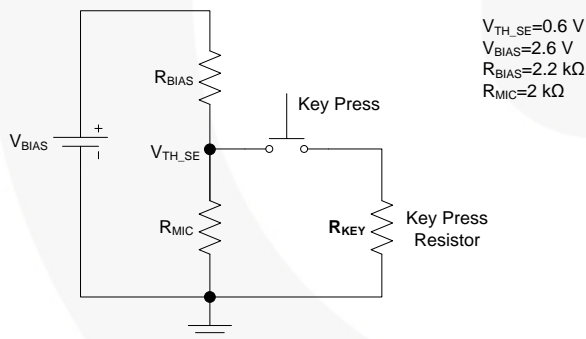


Figure 6. Example Key-Press Resistor Calculations and Values

$$R_{KEY} \leq \frac{1}{\left( \frac{1}{V_{TH\_SE}} \cdot \frac{V_{BIAS} - V_{TH\_SE}}{R_{BIAS}} \right) - \frac{1}{R_{MIC}}}$$

$$R_{KEY} \leq 980\ \Omega$$

## Design / Layout Best Practices

System-level Electrostatic Discharge (ESD) events often occur in the audio path of a mobile device, typically when inserting or removing an accessory from the audio jack. The audio path from the audio jack to the audio codec or microphone pre-amplifier is typically designed for relatively low frequencies (<100 kHz). An ESD event is a high-frequency event with fast edge rates (<100 ns/V). For this reason, the audio paths represent a high-frequency transmission line to the ESD signal.

Use the following PCB design and layout best practices when designing a system audio path.

### Audio Path Layout Guidelines for ESD

For the MIC and ground signals between the audio jack and FSA8039A, decrease the spacing between these traces to increase the inductive coupling of the signals. In effect, this creates a low-frequency band pass filter that shunts ESD energy to ground before it reaches internal components. Where feasible, lay the MIC trace as a shielded stripline, as shown in Figure 7.

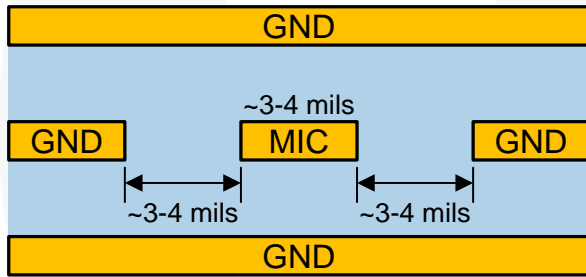


Figure 7. MIC PCB Trace as Shielded Stripline

### Ground Layout Guidelines

Ground layout for audio path devices should consider high-frequency effects. During an ESD event, parasitic inductance and resistance in the ground path reduces its ability to shunt the fast transient energy. Use the following techniques to improve grounding effectiveness:

- Use “star” ground connections (not daisy-chain).
- Use ground vias to minimize ground path impedance and ground loops.
- Stitch ground traces to the ground plane at the device, where possible (see Figure 8).
- Flood ground, where possible (see Figure 8).
- Avoid ground “islands” or “peninsulas” if possible.
- If using a modular audio jack assembly that is not soldered to the main PCB, use a ground pad on the jack with an ohmic connection to battery ground.

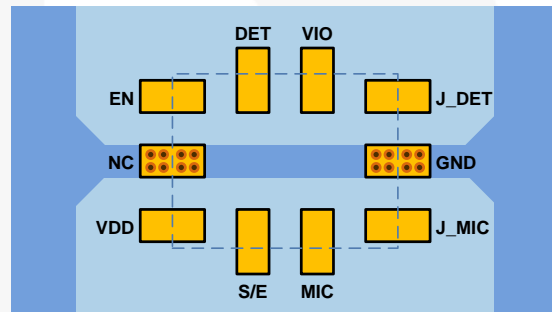


Figure 8. PCB Layout/Grounding

In addition to ESD robustness, these techniques can improve audio signal performance by reducing audio crosstalk and echo due to resistive voltage drops in the audio ground path.

## Absolute Maximum Ratings

Stresses exceeding the absolute maximum ratings may damage the device. The device may not function or be operable above the recommended operating conditions and stressing the parts to these levels is not recommended. In addition, extended exposure to stresses above the recommended operating conditions may affect device reliability. The absolute maximum ratings are stress ratings only.

Symbol	Parameter		Min.	Max.	Unit
$V_{DD}, V_{IO}$	Supply Voltage from Battery		-0.5	6.0	V
$V_{SW}$	Switch I/O Voltage (MIC, J_MIC)		-0.5	$V_{DD}+0.5$	V
$V_{JD}$	Input Voltage for J_DET Input		-1.5	$V_{DD}+0.5$	V
$I_{IK}$	Input Clamp Diode Current		-50		mA
$I_{SW}$	Switch I/O Current			50	mA
$T_{STG}$	Storage Temperature Range		-65	+150	°C
$T_J$	Maximum Junction Temperature			+150	°C
$T_L$	Lead Temperature (Soldering, 10 Seconds)			+260	°C
ESD	IEC 61000-4-2 System ESD	Air Gap	15		kV
		Contact	8		
	Human Body Model, ANSI/ESDA/JEDEC JS-001-2012	J_DET, J_MIC, $V_{DD}$ , $V_{IO}$ , GND	8		
		All Other Pins	2		
	Charged Device Model, JEDEC JESD22-C101	All Pins	2		

## Recommended Operating Conditions

The Recommended Operating Conditions table defines the conditions for actual device operation. Recommended operating conditions are specified to ensure optimal performance to the datasheet specifications. Fairchild does not recommend exceeding them or designing to Absolute Maximum Ratings.

Symbol	Parameter	Min.	Max.	Unit
$V_{DD}$	Battery Supply Voltage	2.5	4.5	V
$V_{IO}$	Parallel I/O Supply Voltage	1.6	$V_{DD}$	V
$T_A$	Operating Temperature	-40	+85	°C
$J\_DET_{Audiof}$	Audio Frequency on J_DET Pin; $V_{DD}=2.4$ to $4.5$ V; $DET=V_{OL}$	20	20000	Hz
$V_{SW}$	MIC Switch Input Voltage Range	0	$V_{DD}$	V
$J\_DET_{AudioV}$	Audio Voltage on J_DET Pin	-1	1	V
$J\_DET_{RL}$	Maximum Resistance on Accessory Left Channel for Valid Attach / Audio Accessory Plug Inserted		10	k $\Omega$

## DC Electrical Characteristics

All typical values are at  $T_A=25^\circ\text{C}$ ,  $C_{IN\_VDD}=1.0\ \mu\text{F}$ , and  $C_{IN\_VIO}=0.1\ \mu\text{F}$  unless otherwise specified.

Symbol	Parameter	$V_{DD}$ (V)	Conditions	$T_A = -40\ \text{to}\ +85^\circ\text{C}$			Unit
				Min.	Typ.	Max.	
<b>MIC Switch</b>							
$R_{ON}$	MIC Switch On Resistance	3.8	$I_{OUT}=30\ \text{mA}$ , $V_{IN}=2.2\ \text{V}$		0.4	2.0	$\Omega$
$R_{FLAT(ON)}$	On Resistance Flatness	3.8	$I_{OUT}=30\ \text{mA}$ , $V_{IN}=1.6\ \text{V to}\ 2.8\ \text{V}$		0.30	1.50	
$I_{OFF}$	Power-Off Leakage Current on MIC Pin	0	MIC=4.3 V			1	$\mu\text{A}$
<b>Key Press</b>							
$V_{TH\_SE}$	Key Detection Threshold	2.5 to 4.5	Detection Threshold	0.60			V
<b>Parallel I/O (KP, INTB)</b>							
$V_{OH}$	Output High Voltage		$I_{OH}=-100\ \mu\text{A}$	$0.8 \times V_{IO}$			V
$V_{OL}$	Output Low Voltage		$I_{OL}=+100\ \mu\text{A}$			$0.2 \times V_{IO}$	
$I_{IN}$	EN Input Leakage Current					1	$\mu\text{A}$
$V_{IL}$	Low-Level Input Voltage					$0.3 \times V_{IO}$	V
$V_{IH}$	High-Level Input Voltage			$0.7 \times V_{IO}$			V
<b>Current</b>							
$I_{DD\_SLNA}$	Battery Supply Sleep Mode Current with No Accessory Attached and LDO Disabled	2.5 to 4.5	Static Current during Sleep Mode		1.5	3.0	$\mu\text{A}$
$I_{DD\_SLWA}$	Battery Supply Sleep Mode Current with Accessory Attached	2.5 to 4.5	Active Current		20	30	$\mu\text{A}$

**Note:**

- Refer to Figure 6 and  $R_{KEY}$  calculation.



## AC Electrical Characteristics

All typical values are for  $T_A=25^\circ\text{C}$ ,  $C_{IN\_VDD}=1.0\ \mu\text{F}$ , and  $C_{IN\_VIO}=0.1\ \mu\text{F}$  unless otherwise specified.

Symbol	Parameter	$V_{DD}$ (V)	Conditions	Typical	Unit
<b>MIC Switch</b>					
THD+N	Total Harmonic Distortion + Noise (Char)	3.8	$R_T=600\ \Omega$ , $f=20\ \text{Hz to } 20\ \text{kHz}$ , $V_{MIC}=2.0\ V_{DC} + 0.5\ V_{pp}$ Sine	0.01	%
OIRR	Off Isolation	3.8	$f=20\ \text{Hz to } 20\ \text{kHz}$ , $R_S=R_T=32\ \Omega$ , $C_L=0\ \text{pF}$	-85	dB
<b>Timing Characteristics</b>					
$t_{\text{POLL}}$	ON Time of MIC Switch for Sensing SEND / END Key Press Oscillator Stable Time	2.5 to 4.5	$DET=V_{OL}$ , $EN=V_{IL}$	1	ms
$t_{\text{WAIT}}$	Period of MIC Switching for Sensing SEND / END Key Press	2.5 to 4.5	$DET=V_{OL}$ , $EN=V_{IL}$	10	ms
$t_{\text{DET\_IN}}$	Debounce Time after J_DET Changes State from HIGH to LOW	2.5 to 4.5		70	ms
$t_{\text{KKBK}}$	Debounce Time for Sensing SEND / END Key Press / Release	2.5 to 4.5		30	ms
$t_{\text{DET\_REM}}$	Debounce Time from Changing J_DET State from LOW to HIGH to Detect Jack Removal	2.5 to 4.5		30	$\mu\text{s}$
<b>Power</b>					
PSRR	Power Supply Rejection Ratio	3.8	Power Supply Noise $300\ \text{mV}_{PP}$ , $f=217\ \text{Hz}$	-90	dB

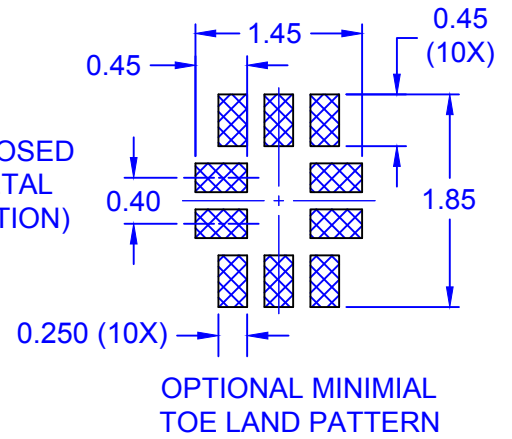
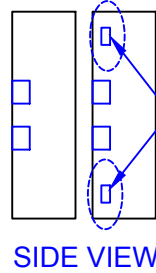
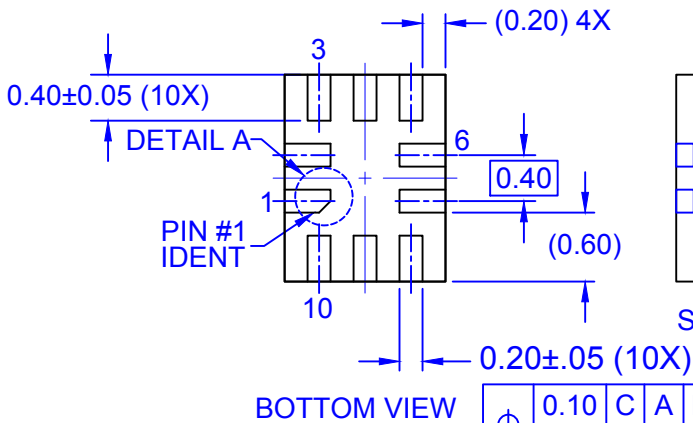
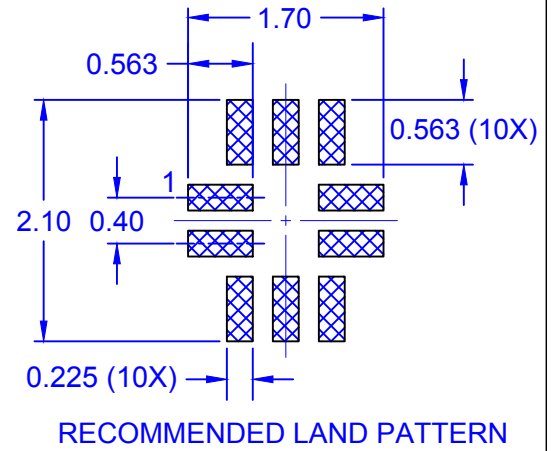
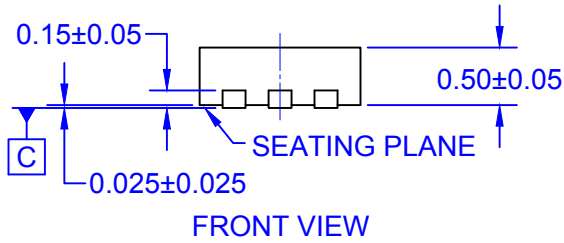
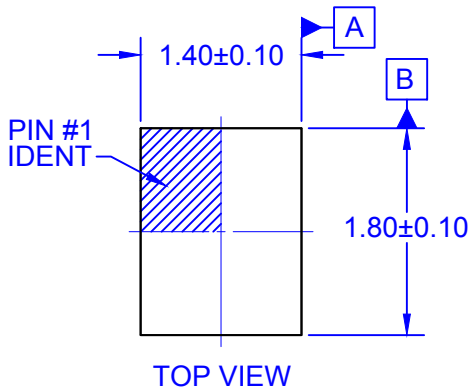
## 10-Lead, Quad Ultrathin MLP (UMLP) Nominal Values

JEDEC Symbol	Description	Nominal Values (mm)
A	Overall Height	0.5
A1	Package Standoff	0.026
A3	Lead Thickness	0.152
b	Lead Width	0.2
L	Lead Length	0.4
e	Lead Pitch	0.4
D	Body Length (Y)	1.8
E	Body Width (X)	1.4

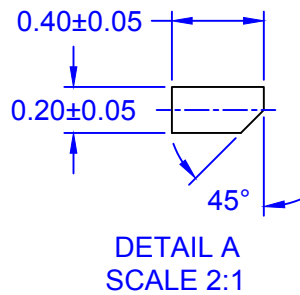
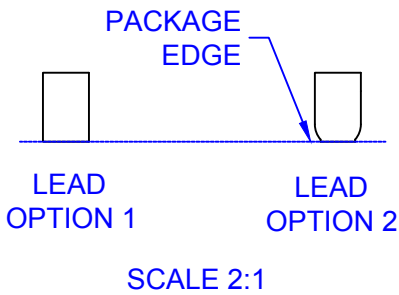
Package drawings are provided as a service to customers considering Fairchild components. Drawings may change in any manner without notice. Please note the revision and/or date on the drawing and contact a Fairchild Semiconductor representative to verify or obtain the most recent revision. Package specifications do not expand the terms of Fairchild's worldwide terms and conditions, specifically the warranty therein, which covers Fairchild products.

Always visit Fairchild Semiconductor's online packaging area for the most recent package drawings:  
<http://www.fairchildsemi.com/dwg/UM/UMLP10SG.pdf>

For current packing container specifications, visit Fairchild Semiconductor's online packaging area:  
[http://www.fairchildsemi.com/packing\\_dwg/PKG-UMLP10SG.pdf](http://www.fairchildsemi.com/packing_dwg/PKG-UMLP10SG.pdf)



⌀	0.10	C	A	B
	0.05	C		



- NOTES:
- A. PACKAGE DOES NOT CONFORM TO ANY JEDEC STANDARD.
  - B. DIMENSIONS ARE IN MILLIMETERS.
  - C. LAND PATTERN RECOMMENDATION IS EXISTING INDUSTRY LAND PATTERN.
  - D. DRAWING FILENAME: MKT-UMLP10SGrevC

**ON Semiconductor**



ON Semiconductor and  are trademarks of Semiconductor Components Industries, LLC dba ON Semiconductor or its subsidiaries in the United States and/or other countries. ON Semiconductor owns the rights to a number of patents, trademarks, copyrights, trade secrets, and other intellectual property. A listing of ON Semiconductor's product/patent coverage may be accessed at [www.onsemi.com/site/pdf/Patent-Marking.pdf](http://www.onsemi.com/site/pdf/Patent-Marking.pdf). ON Semiconductor reserves the right to make changes without further notice to any products herein. ON Semiconductor makes no warranty, representation or guarantee regarding the suitability of its products for any particular purpose, nor does ON Semiconductor assume any liability arising out of the application or use of any product or circuit, and specifically disclaims any and all liability, including without limitation special, consequential or incidental damages. Buyer is responsible for its products and applications using ON Semiconductor products, including compliance with all laws, regulations and safety requirements or standards, regardless of any support or applications information provided by ON Semiconductor. "Typical" parameters which may be provided in ON Semiconductor data sheets and/or specifications can and do vary in different applications and actual performance may vary over time. All operating parameters, including "Typicals" must be validated for each customer application by customer's technical experts. ON Semiconductor does not convey any license under its patent rights nor the rights of others. ON Semiconductor products are not designed, intended, or authorized for use as a critical component in life support systems or any FDA Class 3 medical devices or medical devices with a same or similar classification in a foreign jurisdiction or any devices intended for implantation in the human body. Should Buyer purchase or use ON Semiconductor products for any such unintended or unauthorized application, Buyer shall indemnify and hold ON Semiconductor and its officers, employees, subsidiaries, affiliates, and distributors harmless against all claims, costs, damages, and expenses, and reasonable attorney fees arising out of, directly or indirectly, any claim of personal injury or death associated with such unintended or unauthorized use, even if such claim alleges that ON Semiconductor was negligent regarding the design or manufacture of the part. ON Semiconductor is an Equal Opportunity/Affirmative Action Employer. This literature is subject to all applicable copyright laws and is not for resale in any manner.

## PUBLICATION ORDERING INFORMATION

### LITERATURE FULFILLMENT:

Literature Distribution Center for ON Semiconductor  
19521 E. 32nd Pkwy, Aurora, Colorado 80011 USA  
**Phone:** 303-675-2175 or 800-344-3860 Toll Free USA/Canada  
**Fax:** 303-675-2176 or 800-344-3867 Toll Free USA/Canada  
**Email:** [orderlit@onsemi.com](mailto:orderlit@onsemi.com)

**N. American Technical Support:** 800-282-9855 Toll Free  
USA/Canada  
**Europe, Middle East and Africa Technical Support:**  
Phone: 421 33 790 2910  
**Japan Customer Focus Center**  
Phone: 81-3-5817-1050

**ON Semiconductor Website:** [www.onsemi.com](http://www.onsemi.com)  
**Order Literature:** <http://www.onsemi.com/orderlit>  
For additional information, please contact your local  
Sales Representative