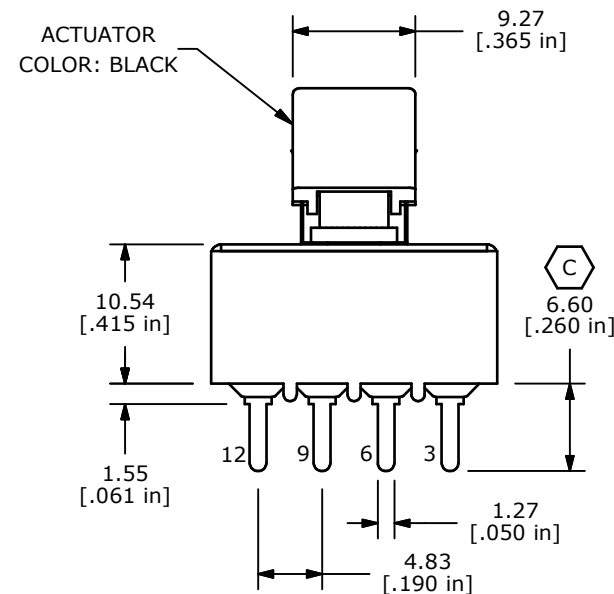
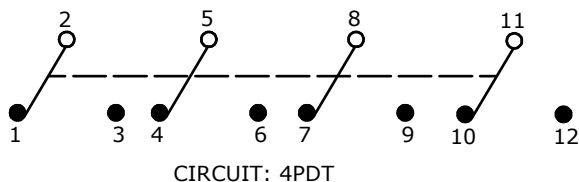
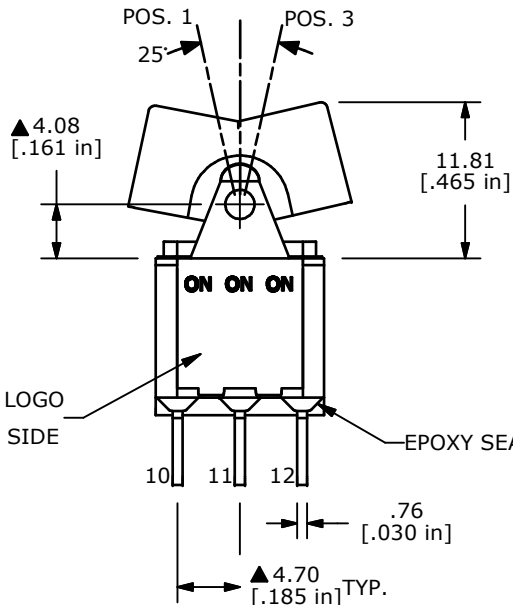


ISOMETRIC



SWITCH FUNCTION		
POS. 1	POS. 2	POS. 3
ON	ON	ON
2-3, 5-6, 8-9, 11-2	2-3, 5-4, 8-9, 11-10	2-1, 5-4, 8-7, 11-10



NOTE:

1. ALL DIMENSIONS IN MM [INCH]
2. GENERAL TOLERANCE: X.X=±0.4  
X.XX=±0.25
3. TERMINAL NUMBERS FOR REF ONLY
4. PLATING MATERIAL: SILVER
- ▲5. RATING: 5A @120VAC or 28VDC; 2A @250VAC
6. ELECTRIC LIFE: 50,000 MAKE-AND-BREAK CYCLES AT FULL LOAD.
7. INSULATION RESISTANCE: 1,000 MEGA-OHM MIN.
8. DIELECTRIC STRENGTH: 1,000 V RMS @SEA LEVEL.
9. OPERATING TEMP.: -30°C to 85°C
10. ▲ DENOTES CRITICAL PARAMETER.
11. TERM NOS. FOR REF. ONLY
12. 2002/95/EC (ROHS) COMPLIANT



C	17574	CHANGED TERMINAL LENGTH	8/17/07	BF
B	17502	REVISED AND REDRAWN	7/24/07	BF
REV	PCR NO	DESCRIPTION	DATE	BY

TITLE 3004P6J1BLKM2QE				
SCALE 2:1	DATE 8/17/2007	DR BF	DWG T346009	REV C

THE INFORMATION CONTAINED IN THIS DOCUMENT IS PROPRIETARY TO E-SWITCH AND IS NOT TO BE COPIED OR TRANSFERRED