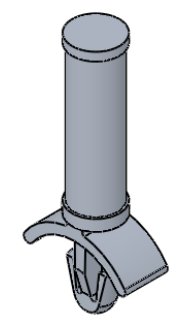
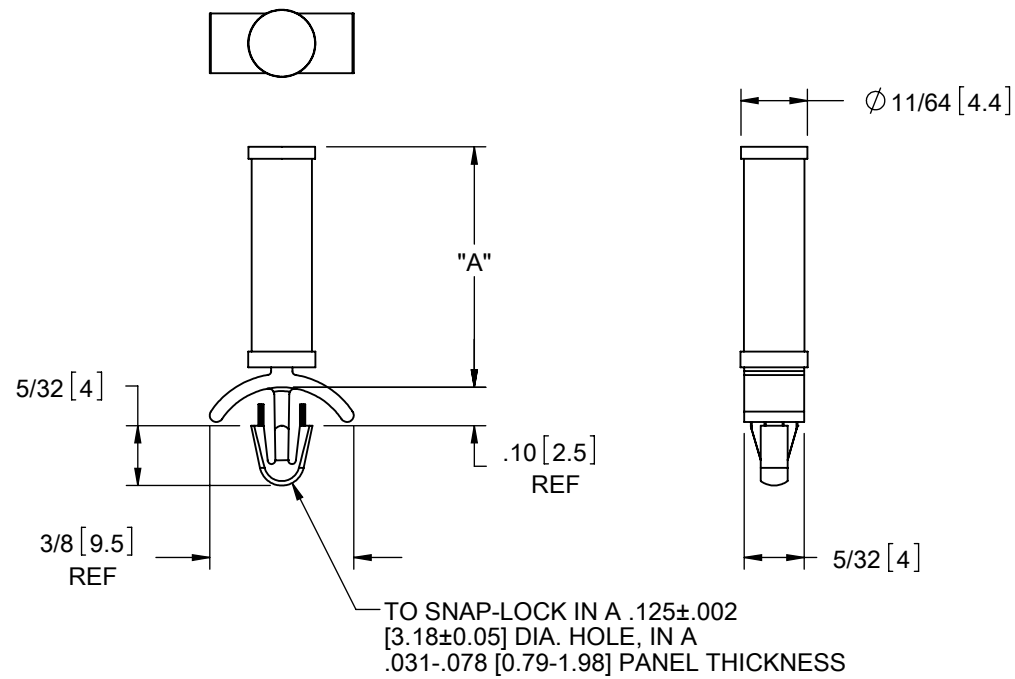


MATERIAL: NYLON 6/6 UL 94 V-2 (RMS-01) COLOR: NATURAL PART NO.	DIM. "A" ±.015 [0.4]
PSM-2-01	1/8 [3.2]
PSM-3-01	3/16 [4.8]
PSM-4-01	1/4 [6.4]
PSM-5-01	5/16 [7.9]
PSM-6-01	3/8 [9.5]
PSM-7-01	7/16 [11.1]
PSM-8-01	1/2 [12.7]
PSM-9-01	9/16 [14.3]
PSM-10-01	5/8 [15.9]



- NOTES:
1. MATERIAL: NYLON 6/6 UL 94 V-0 (RMS-19)
COLOR: NATURAL.
AVAILABLE BY SPECIAL ORDER ONLY.
 2. OTHER COLORS AVAILABLE BY SPECIAL ORDER.
 3. ALTERNATE UNITS FOR REFERENCE ONLY.

E SEE ECN #1345 FOR CHANGES SK 07/23/07			D REDRAWN. SEE ECN #1208 FOR CHANGES SK 11/29/06			- SEE ENGINEERING FOR REVISIONS A-C ---			REV. DESCRIPTION ENGR. DATE		
TOLERANCES UNLESS NOTED .XX=±.010 .XXX=±.005 FRAC.=±1/64 ANG.=±1°			FILE #: PSM			DWN: SK			APP: RT		
SHEET: 1 OF 1			SHEET SIZE: A			DT: 11/29/06			CHKD: SJ		
RE: RICHCO, INC.			RICHCO, INC.			ENG@RICHCO-INC.COM (773) 539-4060			PART #		
SEE TABLE			PRINT TYPE			CA			DWG IN IN [MM] FINAL		