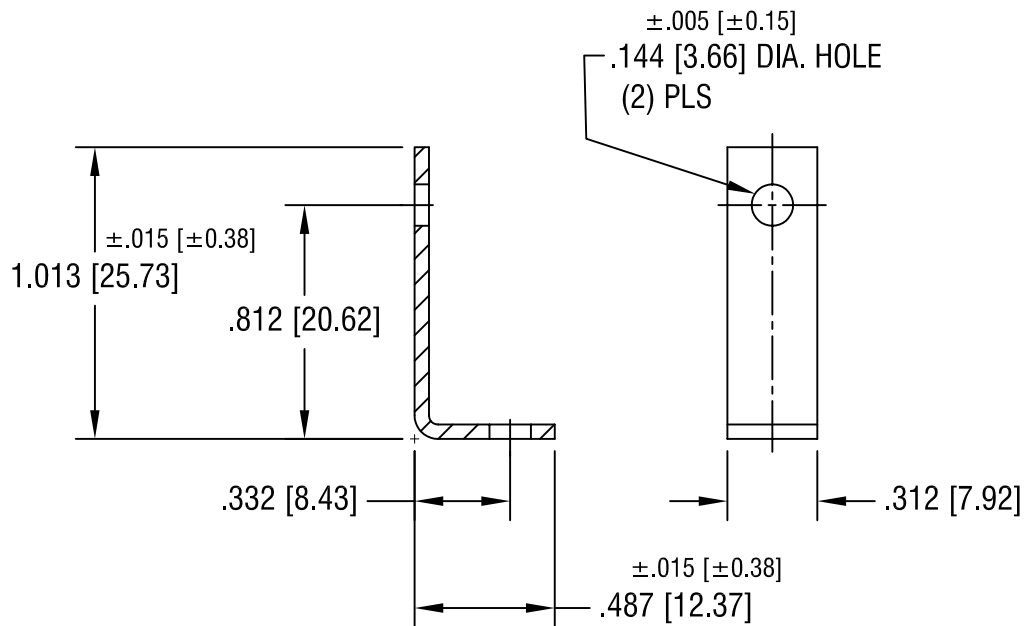


THIS DOCUMENT IS THE PROPERTY OF
KEYSTONE ELECTRONICS CORP. AND
SHALL NOT BE REPRODUCED, DISTRIBUTED
OR USED AS A BASIS FOR MANUFACTURE
WITHOUT PRIOR WRITTEN PERMISSION
FROM KEYSTONE ELECTRONICS CORP.



KEYSTONE ELECTRONICS CORP.

ASTORIA, N.Y. 11105-2017

PART NAME

BRACKET

MATERIAL

.050 [1.27] TH'K STEEL

FINISH

NICKEL PLATE

DRN BY

BOONE

DATE

8.25.98

APPD

LN

SCALE

1.5X

9.8.04 | CHANGE AS PER ECN 04-087

B

TOLERANCES

INCH [MM]

DECIMAL ±.010 [±0.25]

ANGULAR ± 1°

UNLESS OTHERWISE SPECIFIED

CODE

C

DWG NO.

4326

DATE

DESCRIPTION

REV.