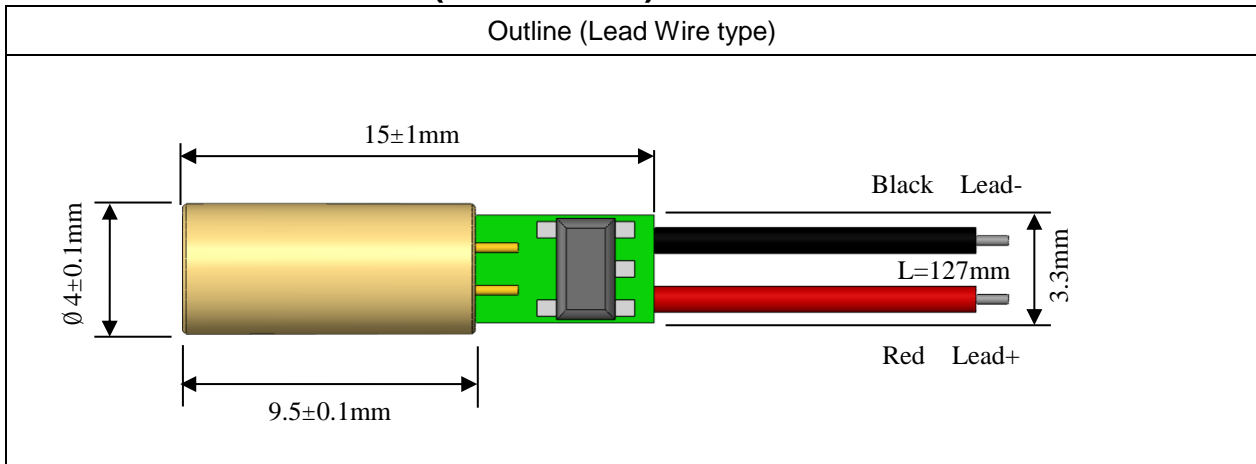


VLM-650-21-Series

OUTLINE DIMENSIONS (UNITS: mm)



SPECIFICATIONS

SPECIFICATIONS		VLM-650-21-	
		LPT	LPA
1	Dimensions	$\varnothing 4 \times 15$ mm ($\varnothing 0.157" \times 0.59"$)	
2	Operating voltage (Vop)	3~5 VDC	
3	Operating current (Iop)	< 25mA	< 30mA
4	Continuous wave output power (Po)	0.7 ± 0.2 mW	2 ± 0.5 mW
5	Wavelength at peak emission (λ_p)	645~660nm	
6	Collimating Lens	Aspherical plastic ($\Phi 3$)	
7	Spot size at 5M	7 ± 1 mm	
8	Divergence(Half Angle)	2.5mRad	
9	Operating temp. range	$+15^\circ\text{C} \sim +30^\circ\text{C}$	
10	Storage temp. range	$-20^\circ\text{C} \sim +65^\circ\text{C}$	
11	Housing	Brass	
12	Mean time to failure(MTTF) 25°C	5000hrs	

Note : Laser module housing is an electrical positive surface, it is imperative that contact between the laser module and the machine be avoided. This is to prevent damage from the machine electrical leakage. Surge protected power supply to the laser module is strongly recommended.