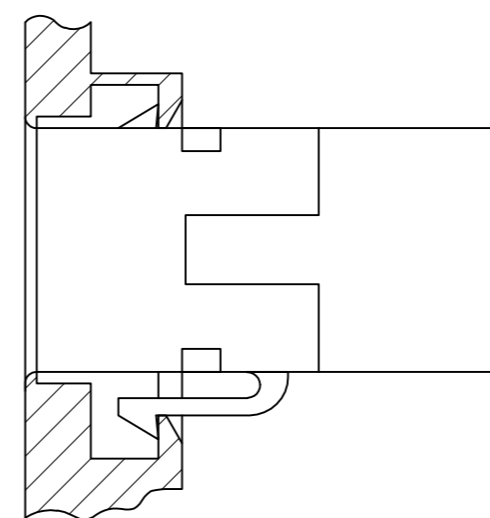
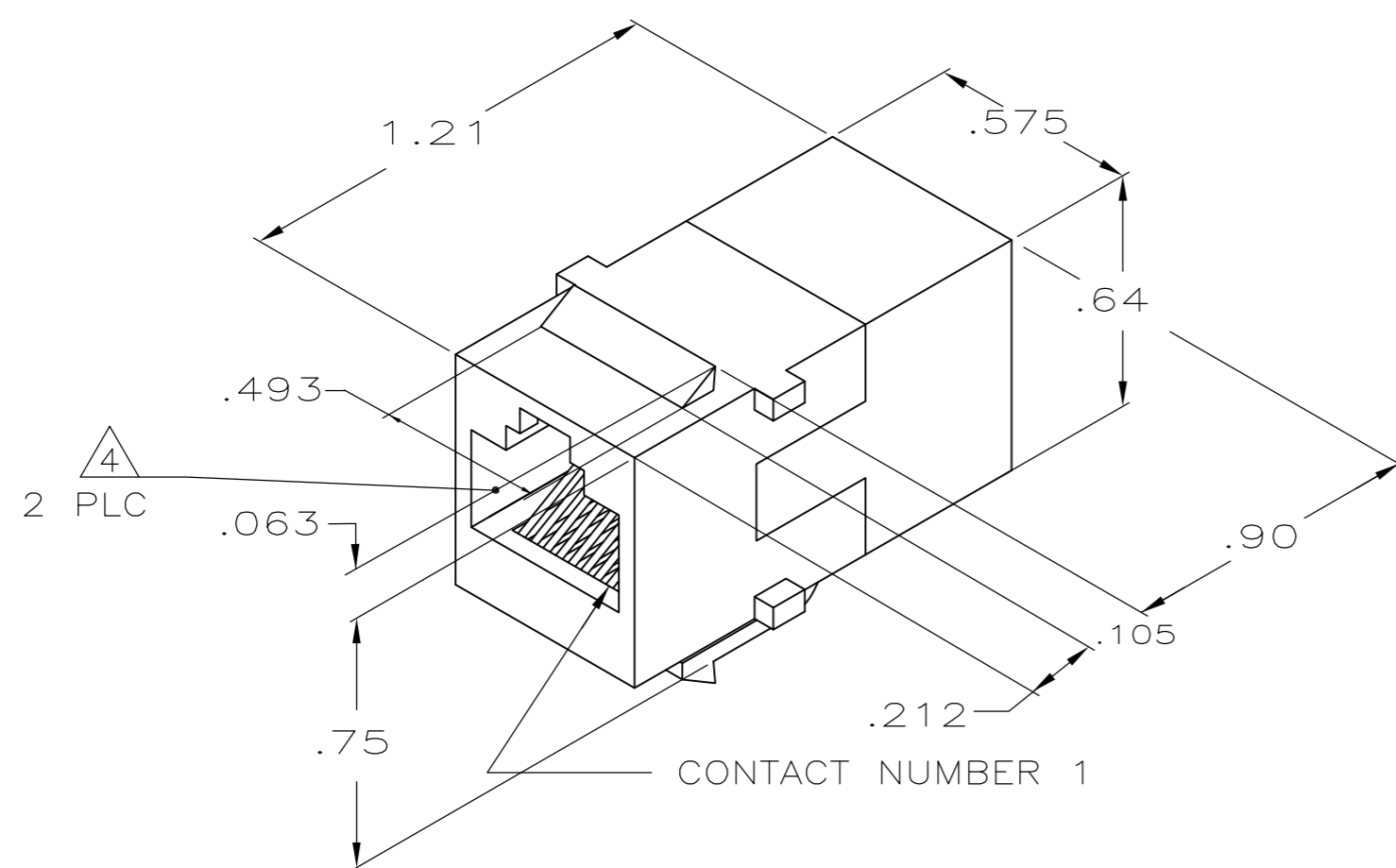


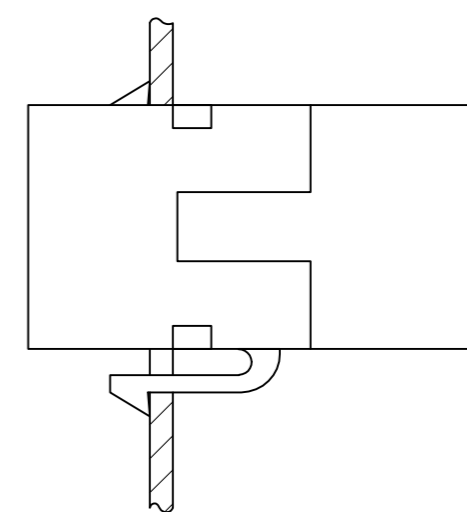
THIS DRAWING IS UNPUBLISHED. RELEASED FOR PUBLICATION  
 © COPYRIGHT - By - ALL RIGHTS RESERVED.

LOC		DIST		REVISIONS			
P	LTR	DESCRIPTION		DATE	DWN	APVD	
	G1	REVISED PER ECO-11-005033		21MAR11	RK	HMR	

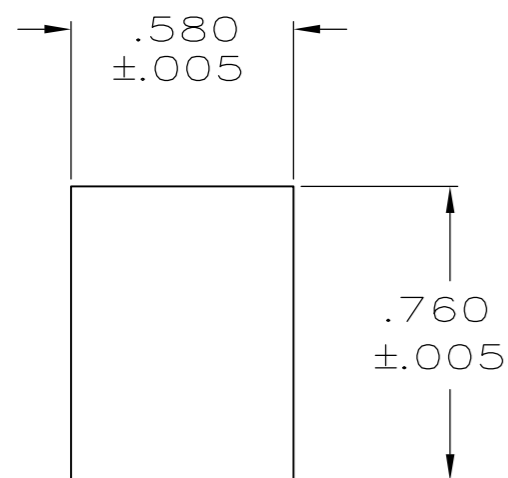
- ALL DIMENSIONS SHOWN ARE MAXIMUM UNLESS OTHERWISE SPECIFIED.
- MATERIAL:**  
 HOUSING - POLYPHENYLENE OXIDE, BLACK.  
 TERMINAL - .018 DIA PHOSPHOR BRONZE PLATED WITH .000050 MINIMUM THICK GOLD OVER .000050 MINIMUM THICK NICKEL.
- MOUNTING PANEL THICKNESS .062 NOMINAL.
- CAVITIES SHALL CONFORM TO FCC RULES AND REGULATIONS, PART 68, SUBPART F.
- BULK P/N = 2-555052-1. BULK PACK IN QUANTITIES OF 100 PCS.



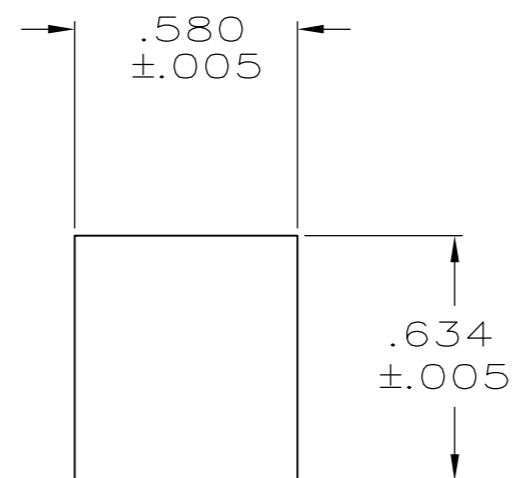
DOUBLE WALL PLATE  
NOT TO SCALE



SINGLE WALL PLATE



RECOMMENDED PANEL CUTOUT FOR SINGLE WALL PLATE AND BACK PANEL FOR DOUBLE WALL PLATE



RECOMMENDED FRONT PANEL CUTOUT FOR DOUBLE WALL PLATE

2-555052-1  
 555052-1  
 PART NO

THIS DRAWING IS A CONTROLLED DOCUMENT.		DWN	22JUN05			TE Connectivity																			
DIMENSIONS: INCHES		CHK	22JUN05			NAME		COUPLER ASSEMBLY, 8 POSITION, IN-LINE																	
TOLERANCES UNLESS OTHERWISE SPECIFIED:		APVD	22JUN05			PRODUCT SPEC		-																	
<table border="0"> <tr><td>0 PLC</td><td>±</td><td>-</td></tr> <tr><td>1 PLC</td><td>±</td><td>-</td></tr> <tr><td>2 PLC</td><td>±</td><td>-</td></tr> <tr><td>3 PLC</td><td>±</td><td>-</td></tr> <tr><td>4 PLC</td><td>±</td><td>-</td></tr> <tr><td>ANGLES</td><td>±</td><td>-</td></tr> </table>		0 PLC	±			-	1 PLC	±	-	2 PLC	±	-	3 PLC	±	-	4 PLC	±	-	ANGLES	±	-	APPLICATION SPEC		-	
0 PLC	±	-																							
1 PLC	±	-																							
2 PLC	±	-																							
3 PLC	±	-																							
4 PLC	±	-																							
ANGLES	±	-																							
MATERIAL		WEIGHT	-	SIZE	A2	CAGE CODE	00779																		
FINISH		-		DRAWING NO	C=555052		RESTRICTED TO																		
-		-		CUSTOMER DRAWING		SCALE	2:1																		
				SHEET		1 of 1																			
				REV		G1																			