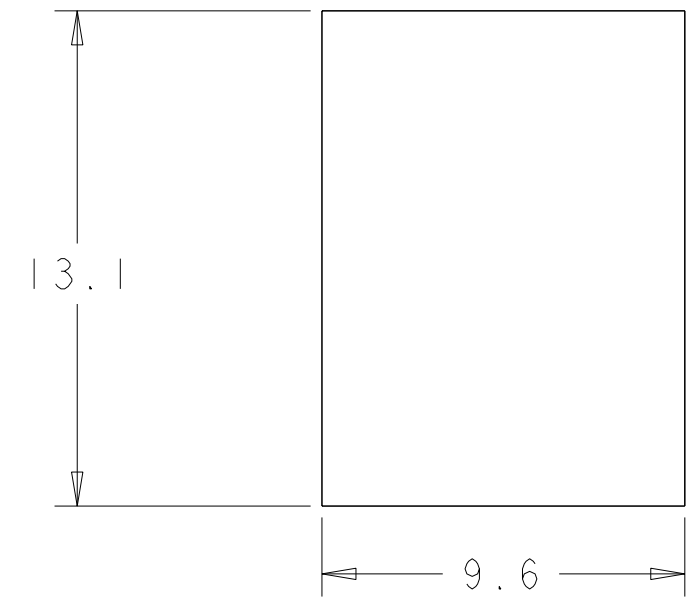
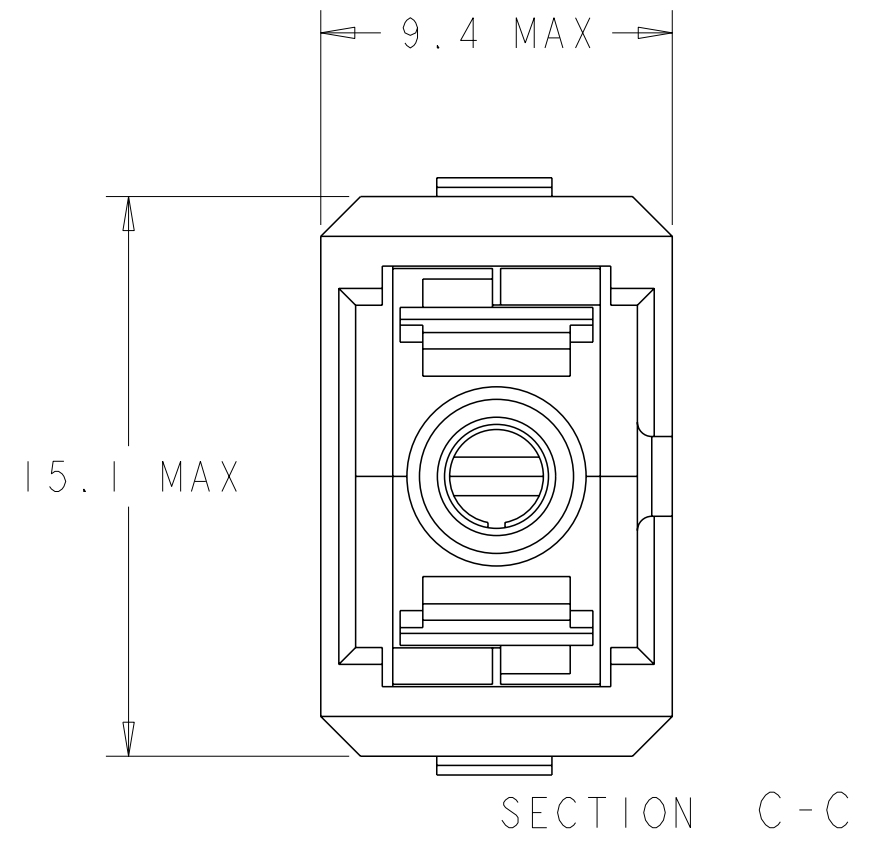
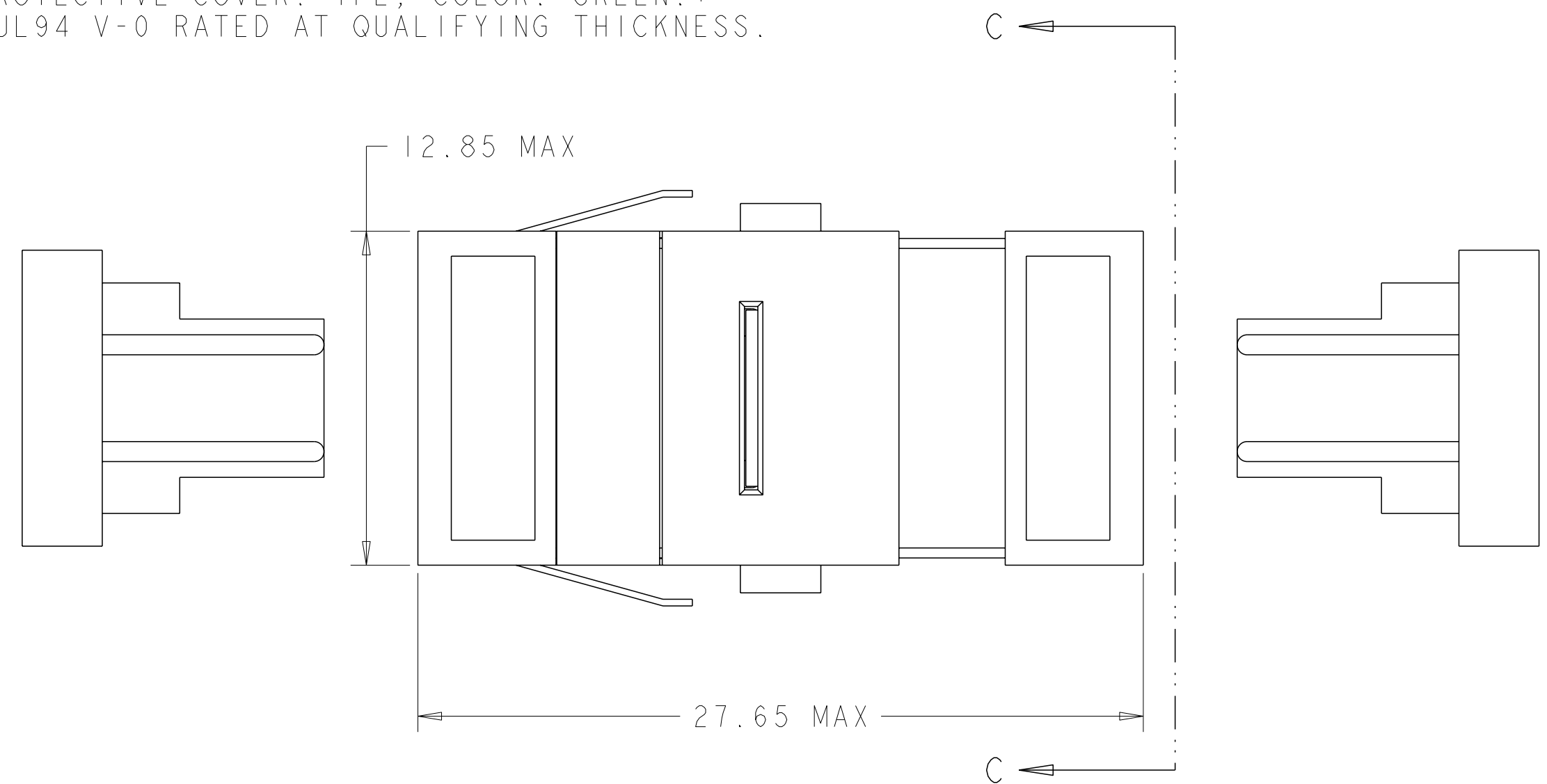


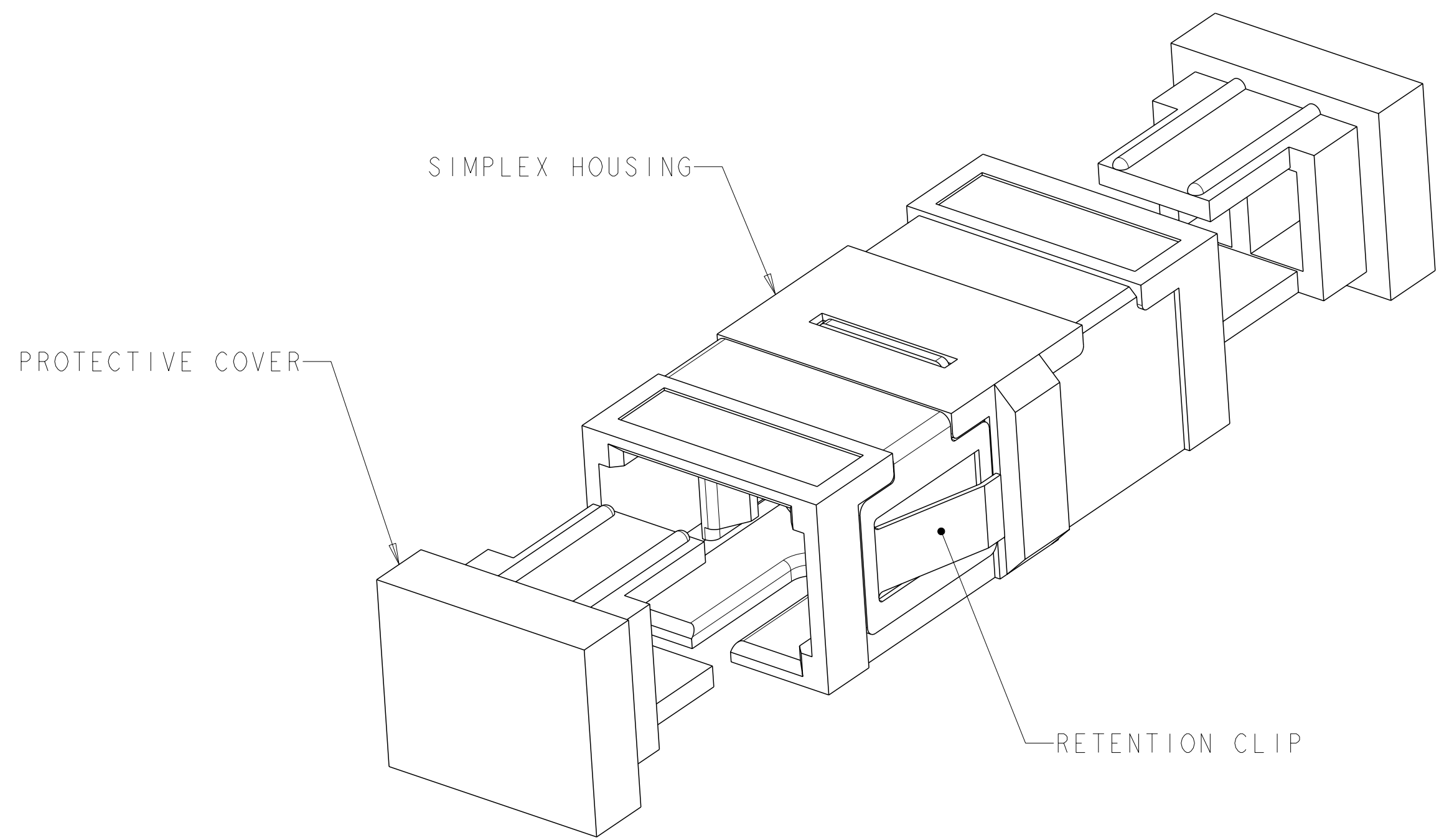
THIS DRAWING IS UNPUBLISHED. RELEASED FOR PUBLICATION  
 © COPYRIGHT - ALL RIGHTS RESERVED.

LOC		DIST		REVISIONS			
P	LTR	DESCRIPTION	DATE	DWN	APVD		
	B	ECR-14-014954	09OCT2014	HZ	RZ		

**MATERIAL:**  
 HOUSING: PBT-GF30, COLOR: GREEN.\*  
 RETAINER: PEI-GF30, COLOR: BLACK.\*  
 RETENTION CLIP: STAINLESS STEEL.  
 ALIGNMENT SLEEVE: CERAMIC  
 PROTECTIVE COVER: TPE, COLOR: GREEN.\*  
 \*UL94 V-0 RATED AT QUALIFYING THICKNESS.



SUGGESTED PANEL CUTOUT  
 MAX PANEL THICKNESS 1.7



1985756-1  
 PART NUMBER

THIS DRAWING IS A CONTROLLED DOCUMENT.		DWN B. BRIGGS 03JAN2008	<b>STE</b> TE Connectivity	
		CHK S. MILLER 03JAN2008		
DIMENSIONS: mm		APVD S. BUCHTER 03JAN2008	NAME ADAPTER, SC, SIMPLEX, APC	
TOLERANCES UNLESS OTHERWISE SPECIFIED:		PRODUCT SPEC	SIZE CAGE CODE DRAWING NO	
0 PLC ±		APPLICATION SPEC	RESTRICTED TO	
1 PLC ±0.1		WEIGHT	A200779C-1985756	
2 PLC ±0.05		CUSTOMER DRAWING	SCALE 5:1	SHEET 1 OF 1
3 PLC ±				REV B
4 PLC ±				
ANGLES ±				
FINISH				