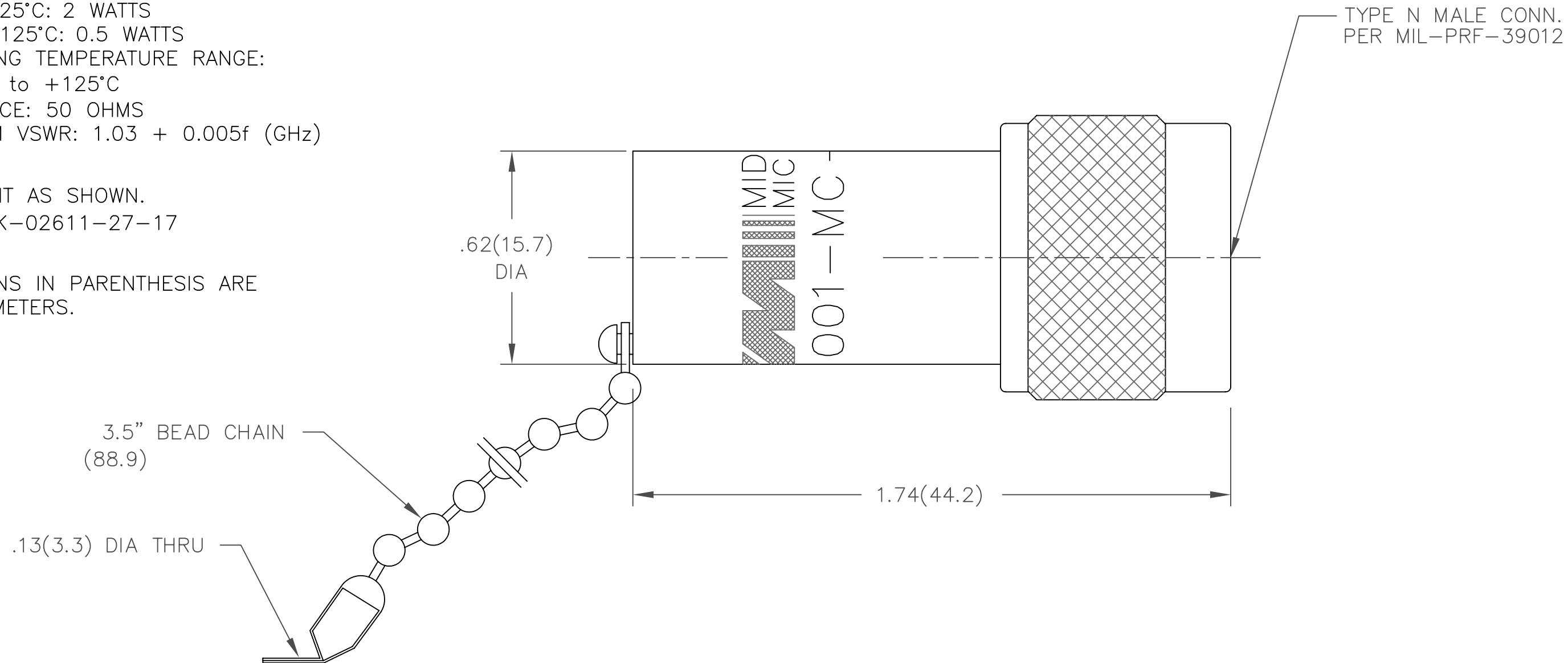


- NOTES:
- 1.0 ELECTRICAL SPECIFICATIONS
 - 1.1 FREQUENCY RANGE: DC TO 18.0 GHz
 - 1.2 MAXIMUM INPUT POWER:
 - AT +25°C: 2 WATTS
 - AT +125°C: 0.5 WATTS
 - 1.3 OPERATING TEMPERATURE RANGE:
 - 55°C to +125°C
 - 1.4 IMPEDANCE: 50 OHMS
 - 1.5 MAXIMUM VSWR: 1.03 + 0.005f (GHz)

2.0 MARK UNIT AS SHOWN.
REF.: INK-02611-27-17

3.0 DIMENSIONS IN PARENTHESIS ARE
IN MILLIMETERS.



DWG NO. WAS: 02357-01-00

NOTICE: The information contained in this drawing is proprietary and must not be used without the permission of Emerson Network Power. UNLESS OTHERWISE NOTED DIMENSIONS ARE IN INCHES AND TOLERANCES ARE: 3 PLACE DECIMALS ±.005 2 PLACE DECIMALS ±.02 FRACTIONS ±1/64 PARALLELITY: T.I.R. _____ FLATNESS: T.I.R. _____ CONCENTRICITY: T.I.R. _____ ANGLES AND PERPENDICULARITY: ±1°	CAGE CODE 34078	MIDWEST MICROWAVE	
			TITLE TERMINATION OUTLINE DRAWING
DRAWN/DATE A.BEATTY 3/27/92	ENG./DATE G.KOZAK 3/30/92	DRAWING NUMBER TRM-2001-MC-NNN-02-01	REV. C1
CHECKED/DATE	APPROVED/DATE	SCALE: 3=1	SHEET 1 of 1

REV.	DESCRIPTION	DATE
-	RELEASED	3/21/79
A	ECR 6545	6/27/89
A1	REDRAW ON CAD-UPDATE	2/27/92
	MARKING-ADD SPECS.	
B	ECN 12868	8/23/93
C	ECN 13621	5/19/94
C1	ADDED TITLEBLOCK	10/26/05