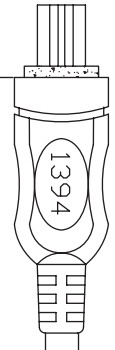
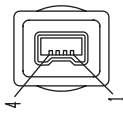
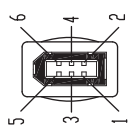


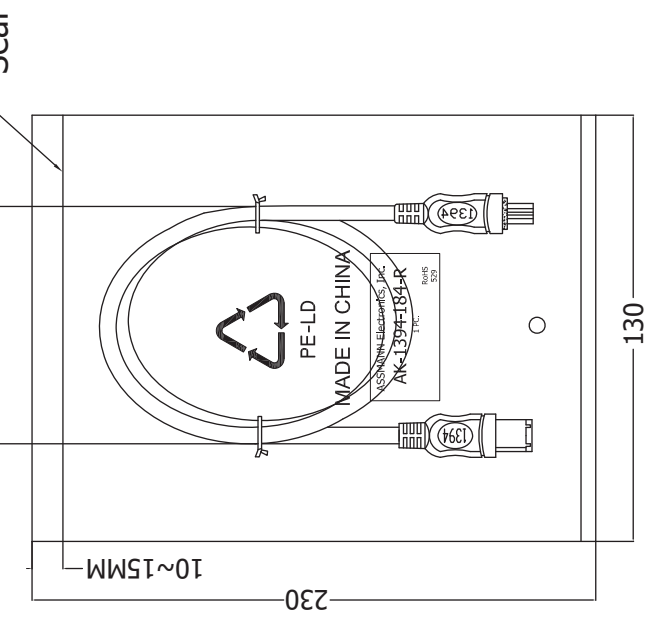
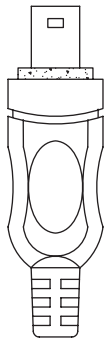
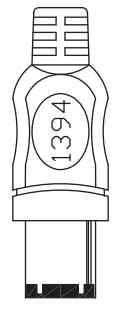
1 2 3 4 5 6 7

1,800MM±50MM

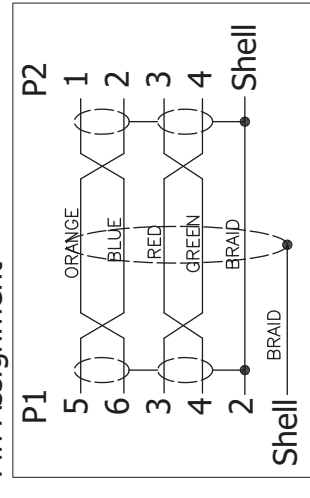


P1

P2



Pin Assignment



Material:

- Cable: UL20276 [30AWG(1P+AB)*2C+AL/MY+B
- OD Ø4.8MM, stranded
- Jacket: Black
- P1 Connector: IEEE 1394 6P Male
- G/F Insulation Black
- Shield nickel plated
- P2 Connector: IEEE 1394 4P Male
- G/F Insulation Black
- Shield nickel plated
- Outer jacket: Black 40P PVC
- Tube: Heat shrink, black, OD 1.5*10MM

Electrical:

- Temperature 80°C
- Rated Voltage: 30V
- Construction type A
- IEEE Compliant

Unit: MM

Scale	1:1	Item No.	
TOLERANCE		Name	AK-1394-184
X.X	±0.40	Drawn	10.24.11 Chappell
X.XX	±0.25	Approved	
X.XXX	±0.15	Title IEEE 1394 Cable - 6 Pin Male <=> 4 Pin Male, 1.8 Meters Drawing No.	
Angle	±3°	Replace	
		ASSMANN W'SW/ components	
		Date	Name
		Modification	
		Sheet	



A

B

C

D

E

F

G

H

1 2 3 4 5 6 7