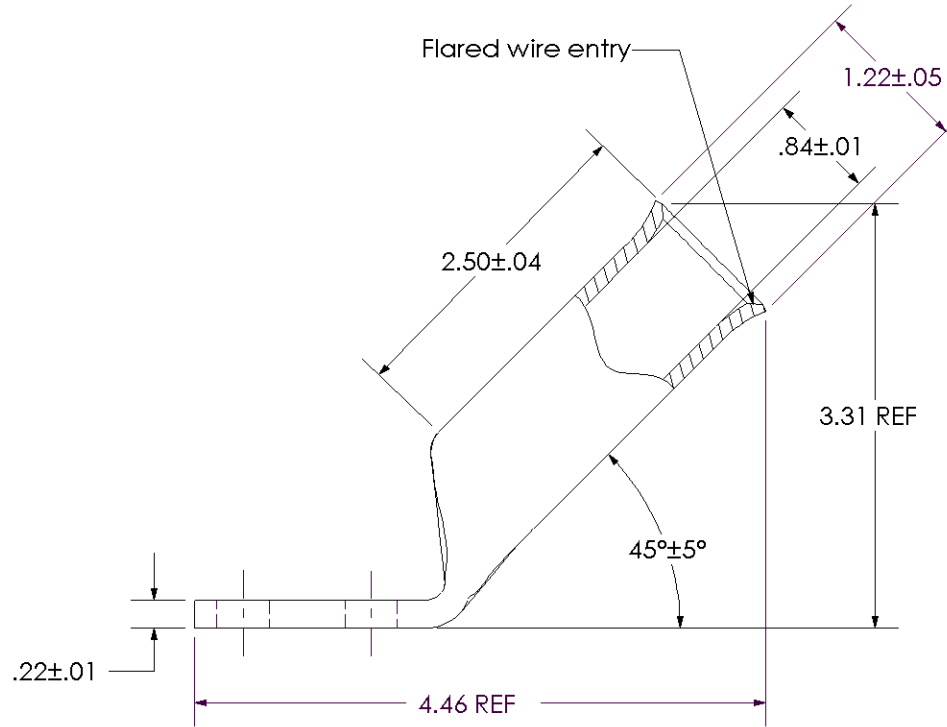
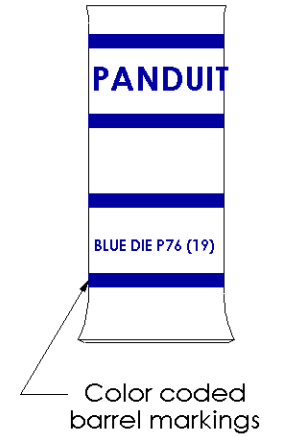
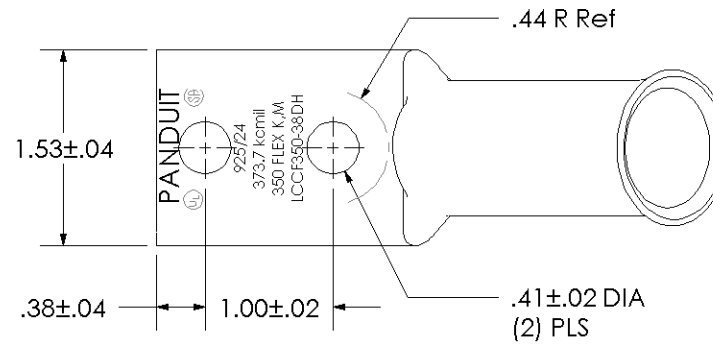


THIS COPY IS PROVIDED ON A RESTRICTED BASIS AND IS NOT TO BE USED IN ANY WAY DETRIMENTAL TO THE INTERESTS OF PANDUIT CORP.

|  |  |
|--|--|
| Material                                       | High Conductivity Seamless Copper Tube   |
| Plating  | Electro-Tin  |
| Wire Size & Type                               | Stranded Copper Flex Cable; 373.7 kcmil (925/24) Diesel Locomotive, 350 kcmil Class K & Class M  |
| Wire Strip Length                              | 2-9/16 in.   |
| Stud Size                                      | 3/8 in.  |
| UL Listed Wire Connector                       | Yes, for applications up to 35kv. Consult cable manufacturer for voltage stress relief instructions with applications greater than 2000 volts. |
| UL Temperature Rating                          | 90° C  |
| C.S.A Certified Wire Connector                 | Yes  |
| Panduit Color Code on Barrel                   | BLUE   |
| Panduit Die Index No. on Barrel                | P76  |
| Alternate Industry Die Index No. ( ) on Barrel | (19)   |



|     |      |     |     |
|-----|------|-----|-----|
| 00  | 8/02 | SAB | DRL |
| REV | DATE | BY  | CHK |

|             |       |
|-------------|-------|
| RELEASED    | 10337 |
| DESCRIPTION | ECN   |

**PANDUIT CORP. TINLEY PARK, ILLINOIS**

LCCF350-38DH-6  
Copper Lug - Two-Hole, Flared Barrel, 45° Angle Tongue

SCALE N/A      DRAWING NO / CAD FILE LCCF350-38DH-CUST