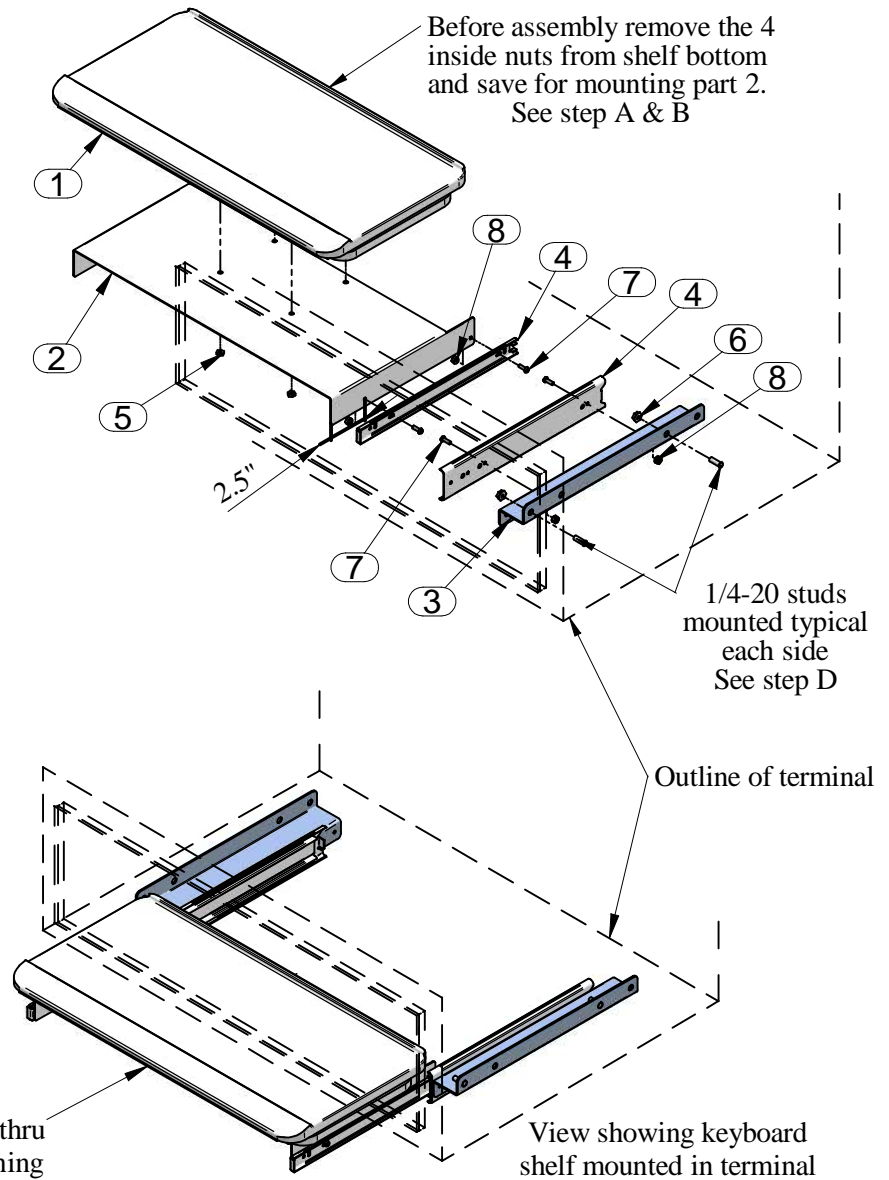
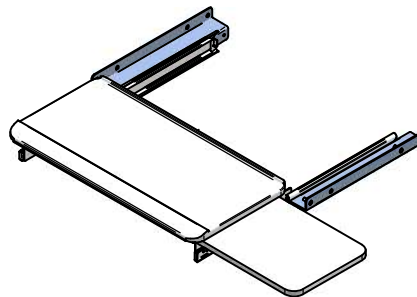


ASSEMBLY INSTRUCTIONS:

- A) Remove 4 10-32 screws from bottom of shelf mounting angle as indicated in note.
- B) Mount shelf mounting angle (item 2) using the 4 screws (item 5) that were removed from shelf bottom. Note dimensions 2.5" (63.5mm) for slide mounting hole is to front of shelf.
- C) Open lower door in data terminal.
- D) Mount keyboard spacer (item 3) onto 1/4-20 studs (located on both sides of terminal using 1/4-20 KEP nuts (item 6)
- E) Separate the slides (item 4) as shown into 2 parts.
- F) Mount the slide insert to the shelf mounting angle using 8-32 hardware (items 7 & 8)
- G) Mount the slide body to the keyboard spacer on terminal side using 8-32 hardware (items 7 & 8) as shown.
- H) Mount shelf by guiding the slide insert into the slide body. Push shelf into slide completely to lock shelf into place.



PARTS LIST		
ITEM No.	DESCRIPTION	QTY
1	KEYBOARD SHELF	1
2	SHELF MOUNTING ANGLE	1
3	KEYBOARD SPACER	2
4	12" BALL BEARING SLIDE	2
5	10-32 KEP NUT	4
6	1/4-20 KEP NUT	4
7	8-32 SCREW	8
8	8-32 KEP NUT	8



Note: Mouse tray can be pulled out of left or right side of keyboard shelf. Slide mouse tray back into shelf before pushing shelf back into terminal opening

TOOL BOX



#2 Phillips
Screw Driver



11/32, 3/8, 7/16"
Socket Wrench

