

SPRING-LOADED CONNECTORS

SERIES 856 • 1,27 GRID FLAT & CONCAVE FACE TARGET CONNECTORS FOR SPRING-LOADED ASSEMBLIES • SINGLE ROW STRIPS

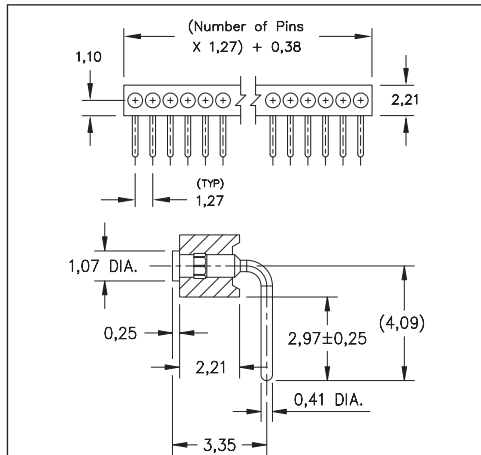


FIG. 1

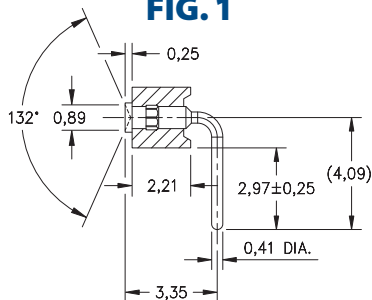


FIG. 2

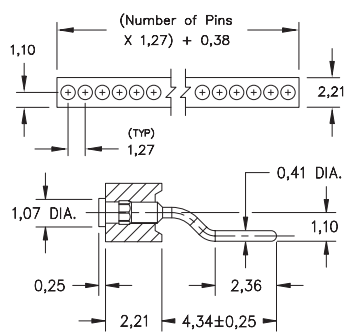


FIG. 3

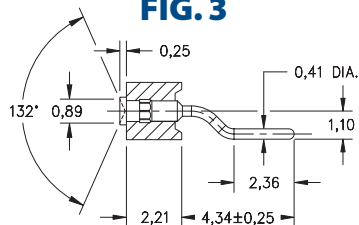
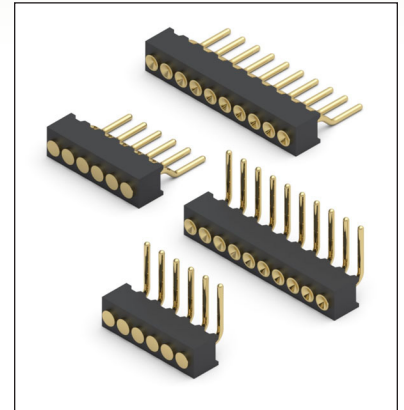


FIG. 4

Coplanarity 0,13. For Pin counts >20 positions, consult Technical Support.

- Series 856 Spring Target Connectors, supplied in single row strips
- Spring Target Connectors are offered with a flat or concave surface for making contact with our standard 0,48 dia. spring pin plungers. The target connectors provide an excellent gold-plated conductive path back to the board-mounted spring pin connector
- Target connectors use MM #1831-1 and #1931-1 pins. See page 223.2 for details
- Insulators are high temperature thermoplastic



ORDERING INFORMATION

	Series 856...20-001	Flat face / Right Angle
FIG. 1	856-10-0	-20-001000
	Specify number of pins	01-20
	Series 856...20-002	Concave face / Right Angle
FIG. 2	856-10-0	-20-002000
	Specify number of pins	01-20
	Series 856...40-001	Flat face / Surface Mount
FIG. 3	856-10-0	-40-001000
	Specify number of pins	01-20
	Series 856...40-002	Concave face / Surface Mount
FIG. 4	856-10-0	-40-002000
	Specify number of pins	01-20
<div style="display: flex; justify-content: space-around; align-items: center;"> <div style="border: 1px solid green; padding: 5px; color: green; font-weight: bold;">RoHS-2 2011/65/EU</div> <div style="border: 1px solid black; border-radius: 50%; padding: 5px;">XX=Plating Code See Below</div> <div style="border: 1px solid black; border-radius: 50%; padding: 5px; font-size: small;">For Electrical, Mechanical & Environmental Data, See page 264</div> </div>		
SPECIFY PLATING CODE XX=		10 ◆
Pin Plating		0,25µm Au