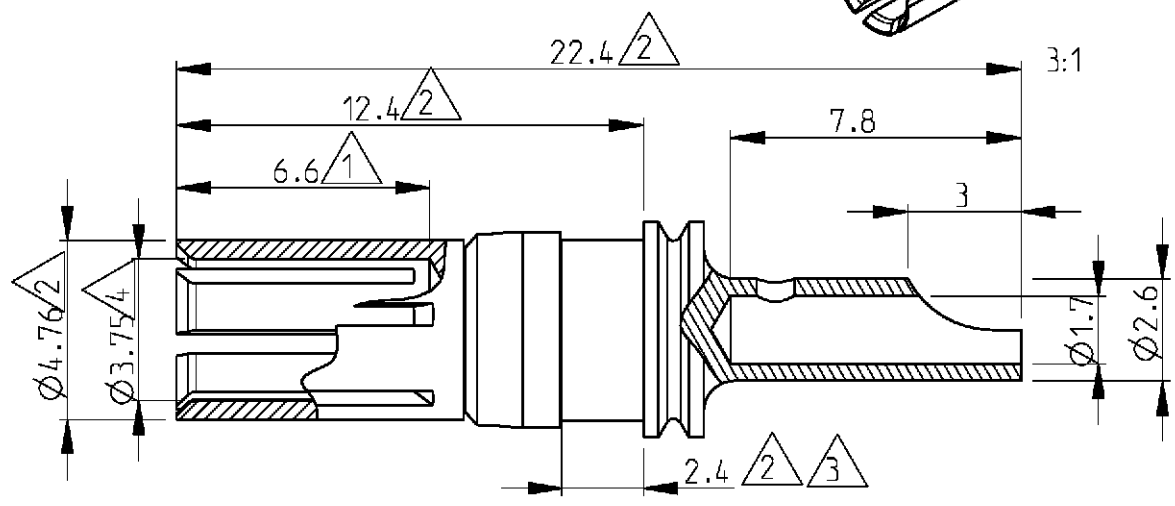
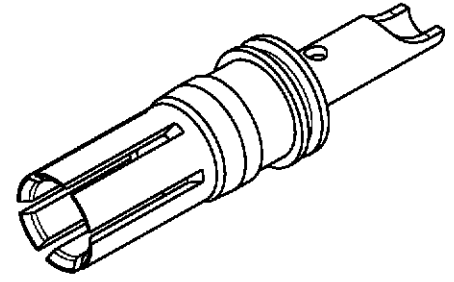


LOC	DIST	REVISIONS				
P	LTR	DESCRIPTION	DATE	DWN	APVD	
GW	-	A1	SR10-0170-01	26APR2001	BL	KM

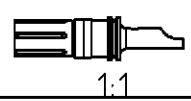


5) Application : DIN 41612 type M, female connectors.

- 4 Initial dimension.
- 3 Measured with spring moved towards the mating face.
- 2 Max. dimension.
- 1 Min dimension

Cross reference table

Old part number	Tyco part number	Current	Material	Plating
C 42334-A347-A104	2-1393589-1	10 A	CuBe	1 μm Au or Pd in contact area



2000

RELEASED FOR PUBLICATION

THIS DRAWING IS UNPUBLISHED.

BY TYCO ELECTRONICS CORPORATION. ALL RIGHTS RESERVED.
COPYRIGHT 2000

DIMENSIONS: mm	DWN B. Lenvain	19APR2001	MATERIAL	-	FINISH	-
	CHK K. Mattheeuws	19APR2001	Tyco Electronics Oostkamp - Belgium			
TOLERANCES UNLESS OTHERWISE SPECIFIED:	APVD R. Leeman	19APR2001				
0 PLC ±	PRODUCT SPEC	-	NAME High current socket with wire connection			
1 PLC ±	APPLICATION SPEC	-	SIZE	CAGE CODE	DRAWING NO	RESTRICTED TO
2 PLC ±	WEIGHT	-	A 4	00779	©=2-1393589-1	-
3 PLC ±			SCALE		5/1	SHEET 1 OF 1
4 PLC ±	CUSTOMER DRAWING					REV A1
ANGLES ±						