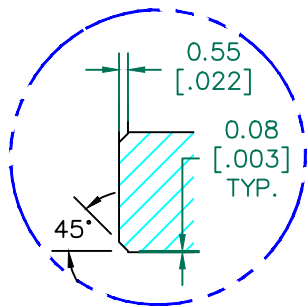


SEE DETAIL "A"

SECTION A-A



CHAMFER
DETAIL A
SCALE: 1.5:1

**UNCONTROLLED
DOCUMENT**

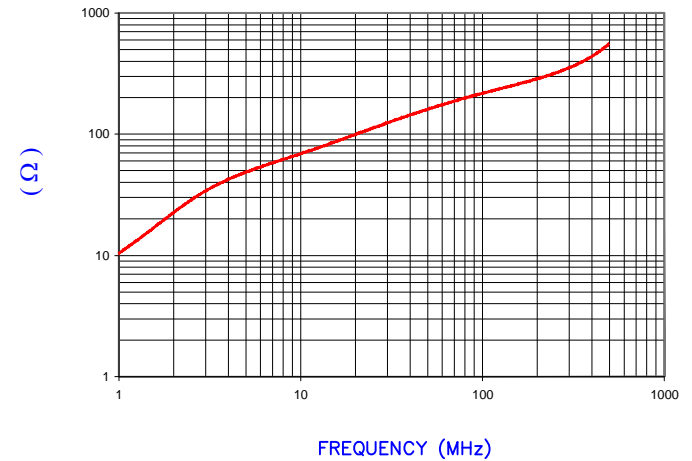
RoHS

NOTES: UNLESS OTHERWISE SPECIFIED

1. COSMETIC SPECIFICATION REFER TO WI-QA-038.

IMPEDANCE (Z)			
Frequency	25 MHz	100 MHz	300 MHz
Nominal (REF)	115 Ω	210 Ω	350 Ω
Minimum	- Ω	168 Ω	- Ω

Z vs. FREQUENCY
(REF. ONLY)

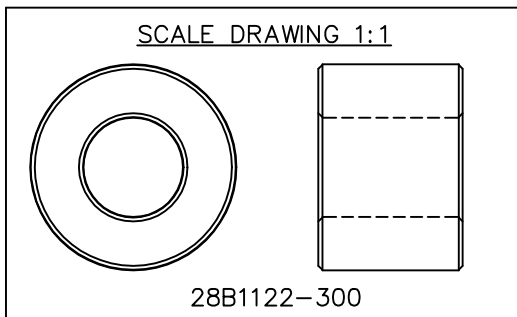


AGILENT E4991A Impedance/Material Analyzer
HP 16092A Test Fixture

FERRITE CORE DIMENSIONS (SPEC):

A	28.50 [1.122]	+	0.46 [.018]
B	13.77 [.542]	+	0.25 [.010]
C	20.00 [.787]	+	0.53 [.021]

WEIGHT/1000 48.16 kgs [106.18 Lbs]



DIMENSIONS ARE IN mm [INCHES].				This print is the property of Laird Tech. and is loaned in confidence subject to return upon request and with the understanding that no copies shall be made without the written consent of Laird Tech. All rights to design or invention are reserved.		Laird	
C	UPDATE THE LOGO	05/13/15	QIU	PROJECT/PART NUMBER: 28B1122-300		REV: C	DRAWN BY: JRK
B	UPDATE COMPANY LOGO	12/28/12	QIU	DATE: 07/18/03	SCALE: 1.5 : 1	MATERIAL: FERRITE	
A	ORIGINAL DRAFT	07/18/03	JRK	CAD # 28B1122-300-C	TOOL # B1122		
REV	DESCRIPTION	DATE	INT				